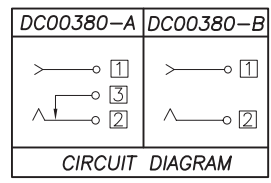
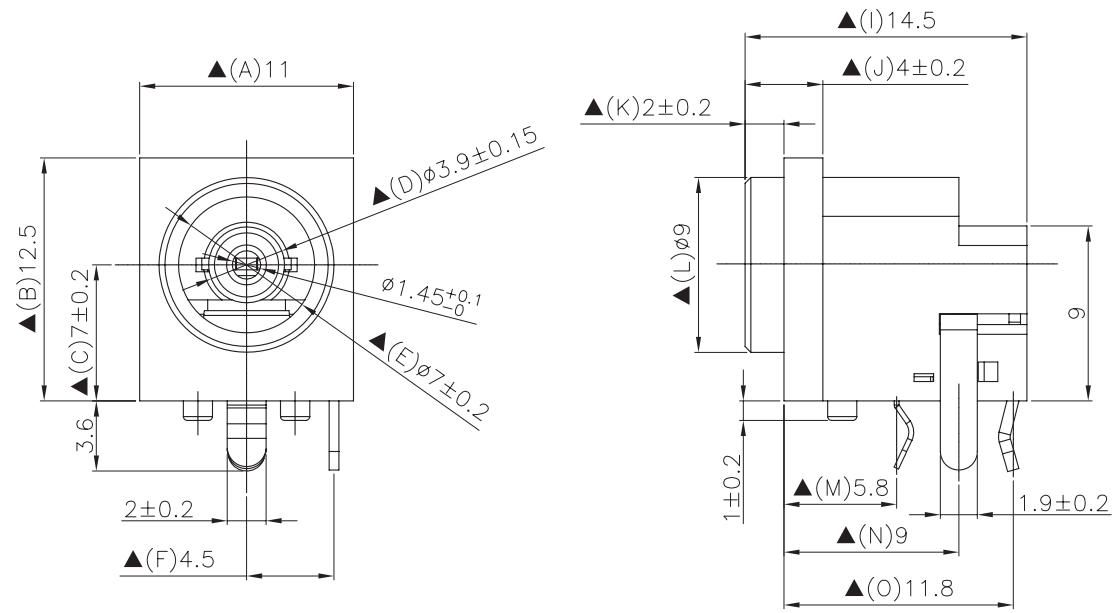
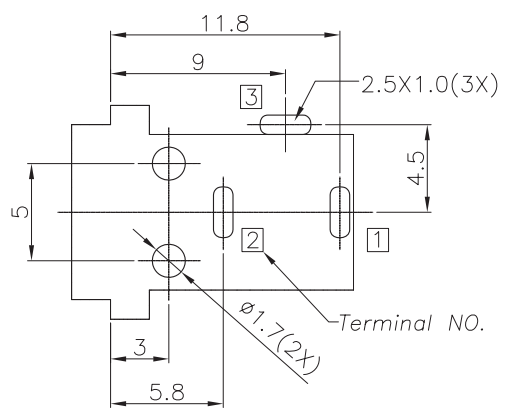
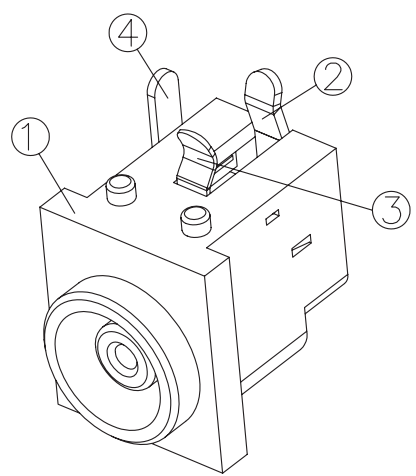
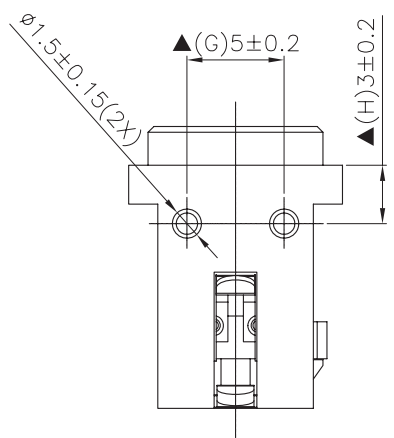


REV. LTR.	DESCRIPTION	SIGN	DATE
	Update drawing	Zhangxiuke	2011.06.20.

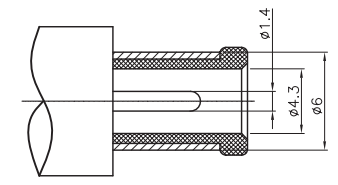


□ : TERMINAL NO.

- Ordering information:
 DC00380- □ F □ □ 0A □ 0 □
 (1) (2) (3) (4) (5) (6) (7) (8)
- (1): Series No.
 - (2): Schematic option: A, B
 - (3): Center hole diameter:
F= $\phi 1.45$
 - (4): Material of housing:
66=PA66 (Standard), PB=PBT
 - (5): Housing color:
0A=Black
 - (6): Terminal plating:
S=Silver (Ag), T=Tin (Sn)
 - (7): Special option:
0=No special option
 - (8): Packing mode:
3=Plastic box packing
4=Bag packing



RECOMMENDED P. C. B. LAYOUT
 UNSPECIFIED TOLERANCE: ± 0.05
 (BOTTOM VIEW)



DC MATE PLUG

Specification:
 1. Rating : DC 30V 2A;
 2. Contact resistance: $\leq 30m\Omega$;
 After test: $\leq 50m\Omega$
 3. Insulation resistance: $\geq 100M\Omega$ (500VDC);
 After test: $\geq 50M\Omega$
 4. Withstanding voltage: 500VAC ;
 5. Insertion and extraction force: 3N~30N;
 6. life test: 5000cycles min;
 7. Operation temperature range: $-20^{\circ}C \sim 70^{\circ}C$
 8. Preservative temperature range: $-40^{\circ}C \sim 85^{\circ}C$
 9. Sign"▲ "is importance dimension.

④	Shunt terminal	③	1	Brass t0.5	DC00380-03(WP-DC0016)	Silver/Tin plating
③	Tip spring	②	1	Phosphor bronze t0.25	DC00380-02(TP-DC0018)	Silver/Tin plating
②	Center pin	①	1	Phosphor bronze t0.6	DC00380-01(JA-DC0001)	Silver/Tin plating
①	Housing		1	PA66/PBT	DC00380-S1(ST-DC0019)	Black

NO.	DESCRIPTION	QTY	MATERIAL	PART NO	REMARK
UNIT: MM	TYPE:	MODEL NO:		PAPER NO: A4	PAGE 1 OF 1
	DC POWER JACK	DC00380-_F_ _0A_0_		TOLERANCE	ANGLES
				± 0.3	$\pm 2'$
				SCALE	VER
				N/A	6

DESIGNER BY: Zhangxiuke 2011.6.20
 CHECK BY: Michael 2011.06.20
 APPROVED BY: Ocean 2011.06.20

淮洋有限公司 HUI YANG CO., LTD.
 www.hy1688.com.tw TEL:886-2-82618986