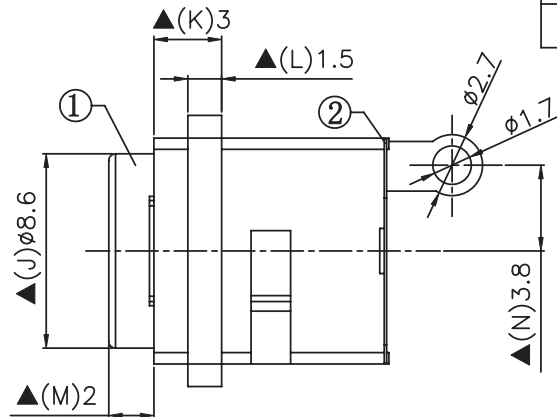
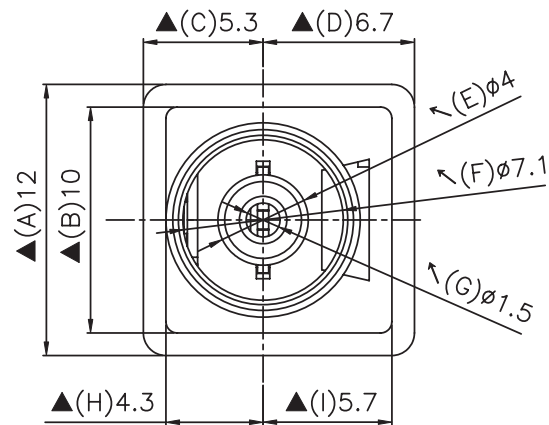


REV. LTR.	DESCRIPTION	SIGN	DATE



Ordering information:

DC 0 0 3 7 B - B F 66 0A T 0 4

(1) (2) (3) (4) (5) (6) (7) (8) (9)

(1):Series type:DC=DC POWER JACK

(2):Series No.

(3):Schematic option: B

(4):Center pin diameter: F= $\phi 1.4$

(5):Material of housing:

66=PA66

(6):Housing color:

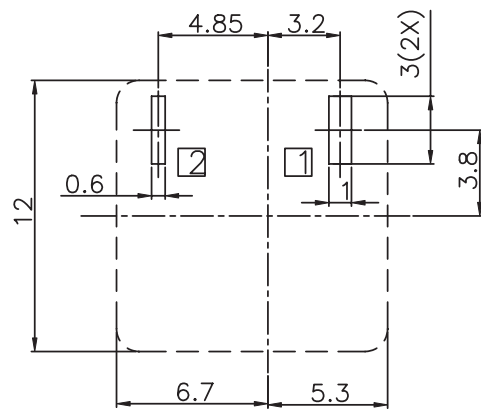
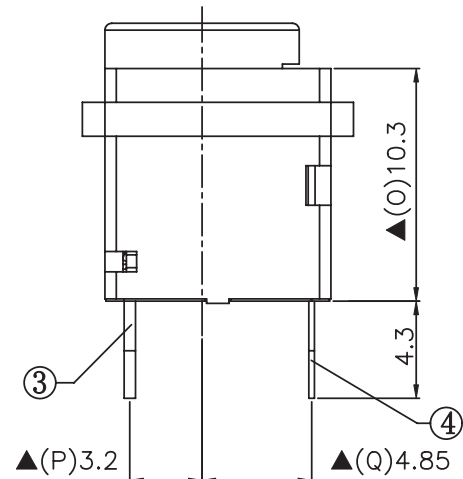
0A=Black

Zero (7):Terminal plating:

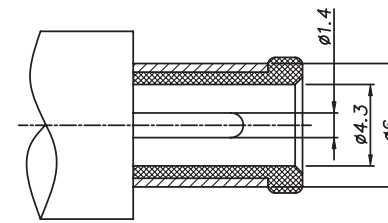
T=Tin (Sn)

(8):Special option:
0=No special option

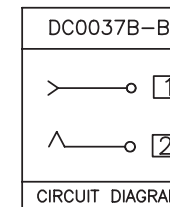
(9):Packing mode:
4=Bag packing



P. C. B Layout (Copper-sided view)



DC MATE PLUG



□: TERMINAL NO.

- SPECIFICATION**
- Rating : DC 30V 1A;
 - Contact resistance: $\leq 30m\Omega$;
 - Insulation resistance: $\geq 100M\Omega$ (DC500V);
 - Withstand voltage: 500VAC ;
 - Insertion and extraction force: 3-30N;
 - life test: 5,000 cycles;
 - Operation temperature range: $-20^{\circ}C \sim 70^{\circ}C$;
 - Preservative temperature range: $-40^{\circ}C \sim 85^{\circ}C$;
 - Sign"▲" is importance dimension.

④	Tip spring	2	1	Phosphor bronze t=0.25	Tin plating
③	Center pin	1	1	Phosphor bronze t=0.5	Tin plating
②	Cover	1	1	PP	Black
①	Housing	1	1	PA66	Black
NO.	DESCRIPTION	QTY	MATERIAL		REMARK

UNIT:MM	TYPE:	MODEL NO:	PAPER NO: A4		PAGE 1 OF 1
	DC POWER JACK	DC0037B-BF660AT04	TOLERANCE	ANGLES	SCALE
			± 0.3	$\pm 2^{\circ}$	FULL
					VER 2

DESIGNER BY: Li Wenhui 2009.12.7

CHECK BY:

APPROVED BY:

淮 洋 有 限 公 司
HUAI YANG CO., LTD.