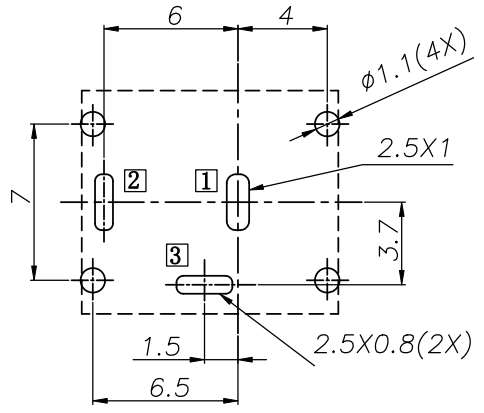
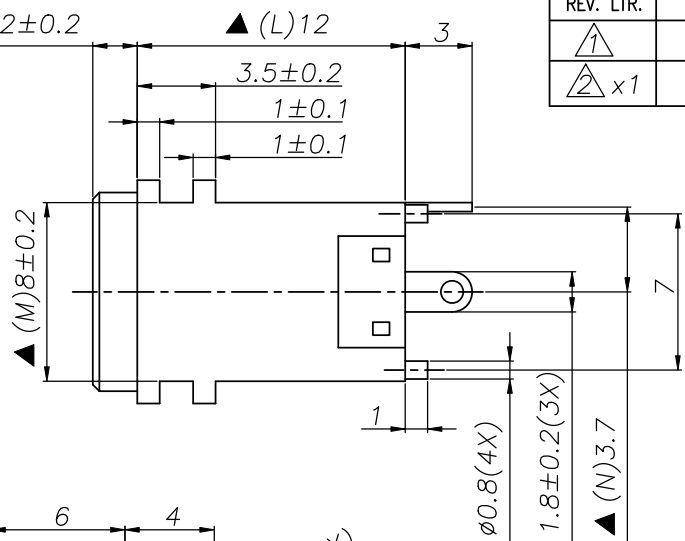
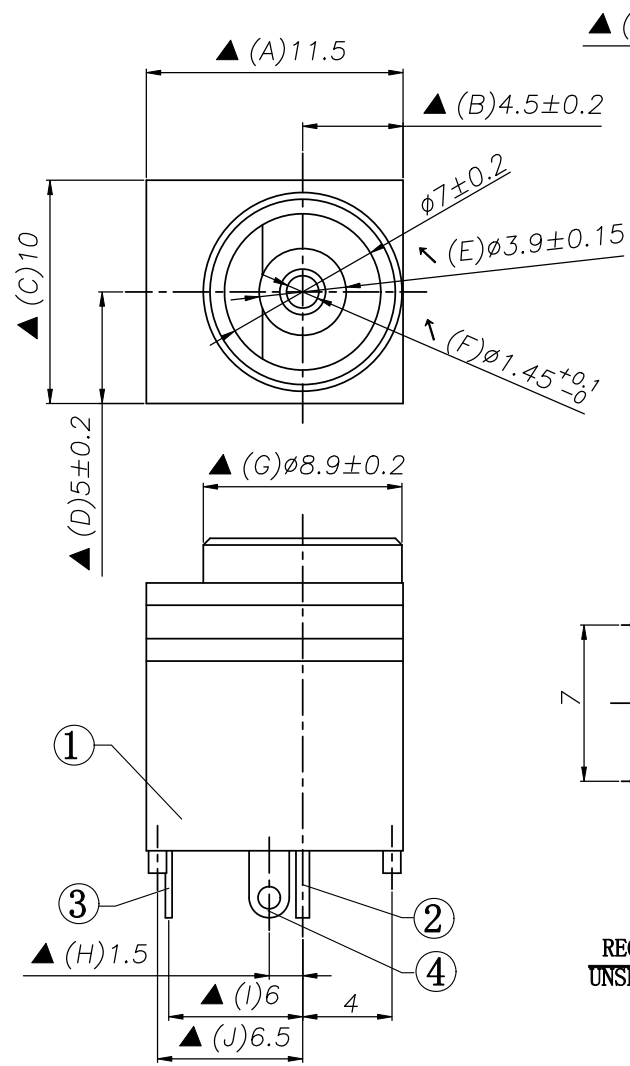


REV. LTR.	DESCRIPTION	SIGN	DATE
△	Update drawing	Zhangxiuke	2011. 5. 5.
△ x1	Add PA66 material	Tiger	2011. 8. 5.

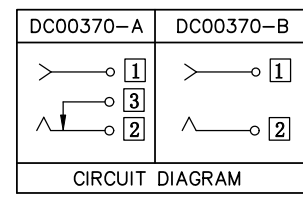
Ordering information:

DC00370-□ F □□ OA S 0 4
 (1) (2) (3) (4) (5) (6)(7) (8)

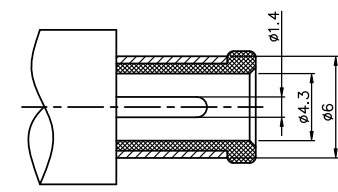
- (1): Series No.
- (2): Schematic option: A, B
- (3): Center hole diameter:
F=Ø1.45
- (4): Material of housing:
PB=PBT, 66=PA66 △
- (5): Housing color:
0A=Black (Standard)
- (6): Terminal plating
S=Silver (Ag)
- (7): Special option:
0=No special option
- (8): Packing mode:
4=Bag packing



RECOMMENDED P. C. B. LAYOUT
 UNSPECIFIED TOLERANCE: ±0.05
 (BOTTOM VIEW)



□ : TERMINAL NO.



DC MATE PLUG

- SPECIFICATION**
- Rating: DC 30V 2A.
 - Contact resistance: ≒30m次.
After test: ≒50m次.
 - Insulation resistance; ≒100M次; (DC500V).
After test: ≒50M次.
 - Withstanding voltage: 500VAC.
 - Insertion and extraction force: 3-30N.
 - Life test 5000 cycles.
 - Operation temperature range: -20~70.
 - Preservative temperature range: -40~85.
 - Sign "△" is importance dimension.

④	Shunt terminal	③	1	Brass t0.4	DC00370-03	Silver plating
③	Tip spring	②	1	Phosphor bronze t0.3	DC00370-02	Silver plating
②	Center pin	①	1	Phosphor bronze t0.6	DC00370-01	Silver plating
①	Housing		1	PBT, PA66	DC00370-S1	Black

NO.	DESCRIPTION	QTY	MATERIAL	PART NO.	REMARK
UNIT:MM	TYPE:	MODEL NO:	PAPER NO: A4	PAGE 1 OF 1	
⊕	DC POWER JACK	DC00370-_F_ _OAS04	TOLERANCE	ANGLES	SCALE VER
			±0.3	±2°	N/A 03

DESIGNER BY:	Tiger 2011.8.5	淮洋有限公司 HUAI YANG CO., LTD. www.hy1688.com.tw TEL:886-2-82618986
CHECK BY:	Matt 2011.8.5	
APPROVED BY:	Ocean 2011.8.5	