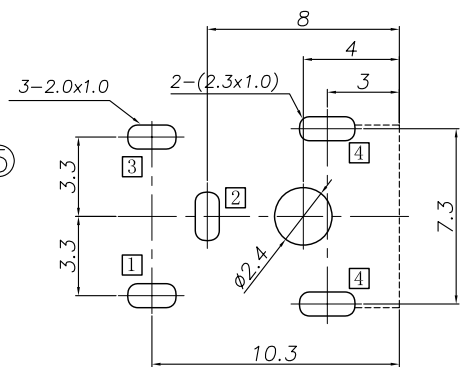
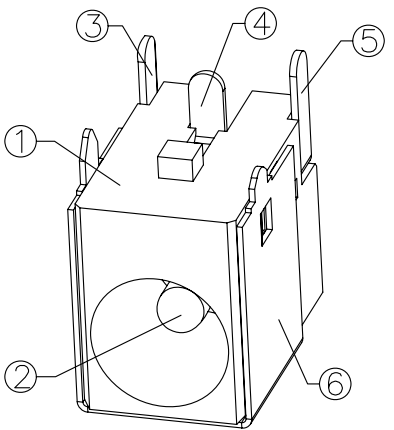


□ : TERMINAL NO.

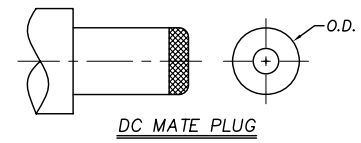


(Copper-sided view) P. C. B Layout



DC 0 0 3 6 A - □ □ □ □ □ □ □ □ □
 (1) (2) (3) (4) (5) (6) (7) (8) (9)

- (1):Series type:DC=DC POWER JACK
- (2):Series No.
- (3):Schematic option:
A、B
- (4):Center pin diameter:
G=∅1.65 , H=∅2.0 , I=∅2.35 , J=∅2.5
- (5):Material of housing:
PB=PBT (Standard)
- (6):Housing color:
0A=Black
- (7):Terminal plating:
S=Silver (Ag)
- (8):Special option:
0=No special option
- (9):Packing mode:
4=Bag packing



Model No.	DC0036A-G	DC0036A-H	DC0036A-I	DC0036A-J
PIN	∅1.65	∅2.0	∅2.35	∅2.5
DC MATE PLUG	∅4.0	∅5.5	∅5.5	∅5.5

NO.	DESCRIPTION	QTY	MATERIAL	PART NO.	PLATING
⑥	Shield plate	④ 1	Brass t=0.25	DC0036A-04(JA-1030)	Nickel(Ni) Plating
⑤	Shunt terminal	③ 1	Brass t=0.3	DC0036A-03(WP-1027)	Silver(Ag) Plating
④	Tip spring	② 1	SUS301 t=0.3	DC0036A-02(TP-1029)	Silver(Ag) Plating
③	Center pin terminal	① 1	Brass t=0.3	DC0036A-01(WP-1028)	Silver(Ag) Plating
②	Center pin	① 1	Brass	DC0036A-99G/H/I/J	Nickel(Ni) Plating
①	Housing	1	PBT UL94V-0	DC0036A-S1(ST-1026)	

UNIT:MM	TYPE:	MODEL NO:	PAPER NO: A4	PAGE 1 OF 1
	DC POWER JACK	DC0036A- _PBOAS04	TOLERANCE	ANGLES
			±0.3	±2'
			SCALE	VER
			FULL	3

DESIGNER BY: Li Wenhui 2009.4.24
 CHECK BY:
 APPROVED BY:
 淮洋有限公司 HUAI YANG CO., LTD.
 www.hy1688.com.tw TEL:886-2-82618986

SPECIFICATION
 1. Rating : DC 20V 3A;
 2. Contact resistance: ≤30mΩ;
 3. Insulation resistance: ≥100MΩ (DC250V);
 4. Withstand voltage: 500VAC ;
 5. Insertion and extraction force: 3-30N;
 6. life test: 5,000 cycles.