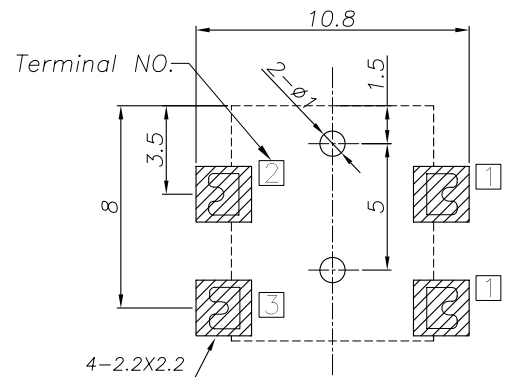
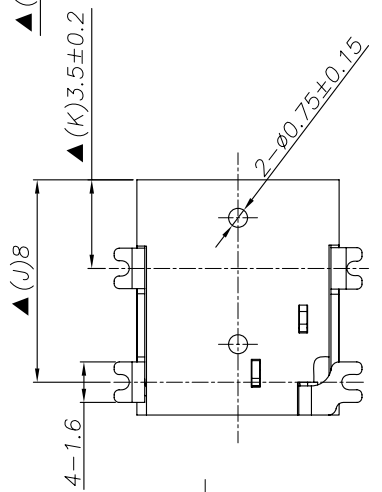
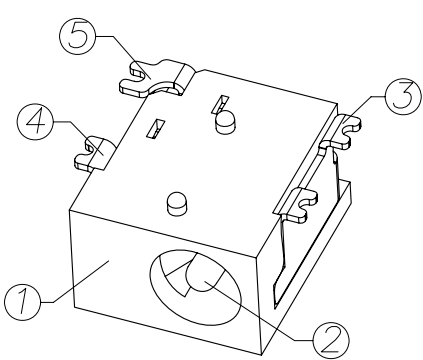
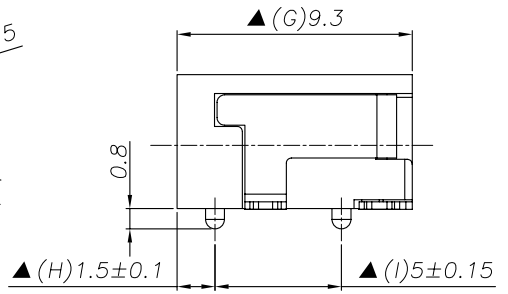
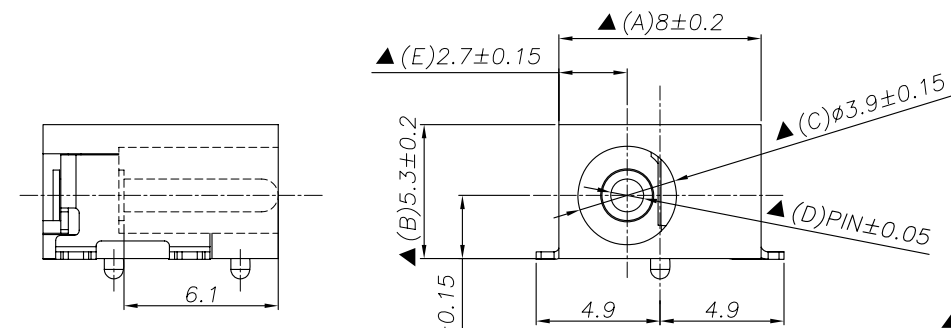
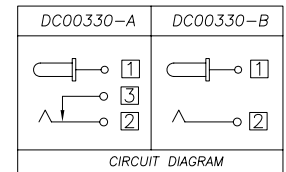
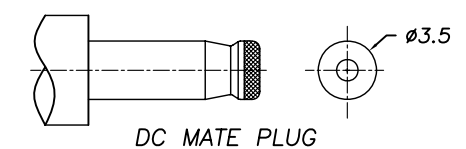


REV. LTR.	DESCRIPTION	SIGN	DATE



- DC00330 - □ □ 9 T 0 A S 0 1
 (1) (2) (3) (4) (5) (6) (7) (8)
- (1): Series No.
 - (2): Schematic option: A、B
 - (3): Center pin diameter:
C=φ1.0, E=φ1.3
 - (4): Material of housing:
9T=PA9T (Standard)
 - (5): Housing color:
0A=Black
 - (6): Terminal plating:
S=Silver (Ag)
 - (7): Special option:
0=No special option
 - (8): Packing mode:
1=Reel packing



□ : TERMINAL NO.

SPECIFICATION

1. Rating : DC 18V 5A;
2. Contact resistance: ≤30mΩ;
After test: ≤50mΩ;
3. Insulation resistance: ≥100MΩ (DC500V);
After test: ≥50MΩ
4. Withstand voltage: 500VAC ;
5. Insertion and extraction force: 3-30N;
6. life test: 5,000 cycles;
7. Operation temperature range: -20°C~70°C;
8. Preservative temperature range: -40°C~85°C;
9. Sign "▲" is importance dimension.

Model No.	DC00330- <u> </u> C	DC00330- <u> </u> E
PIN	φ1.0	φ1.3

RECOMMENDED P. C. B. LAYOUT
 UNSPECIFIED TOLERANCE: ±0.05
 (Copper-sided VIEW)

5	Shunt terminal	3	1	Brass,0.3t	DC00330-03	Silver plating
4	Tip spring	2	1	Phosphor bronze,0.3t	DC00330-02	Silver plating
3	Center pin terminal	1	1	Brass,0.3t	DC00330-01	Silver plating
2	Center pin	1	1	Brass	DC00330-99C/99E	CuSn/Ni plating
1	Housing		1	PA9T, UL94V-0	DC00330-S1	
NO.	DESCRIPTION	QTY		MATERIAL	PART NO.	PLATING
UNIT:MM		TYPE:		MODEL NO:	PAPER NO: A4 PAGE 1 OF 1	
		DC POWER JACK		DC00330- <u> </u> 9T0AS01	TOLERANCE	ANGLES
					±0.3	±2'
DESIGNER BY:		KUANGJUANPING 2011.4.1		淮洋有限公司 HUAI YANG CO., LTD.		
CHECK BY:				www.hy1688.com.tw TEL:886-2-82618986		
APPROVED BY:						