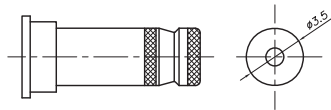
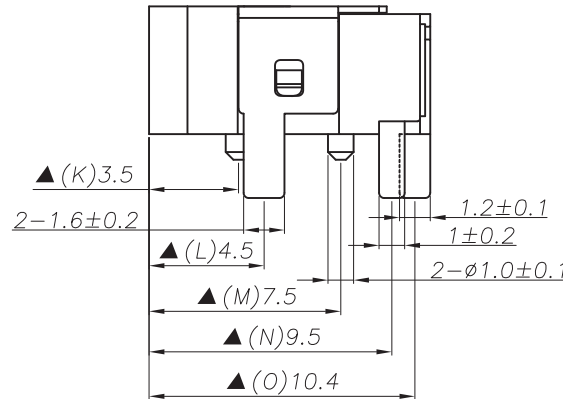
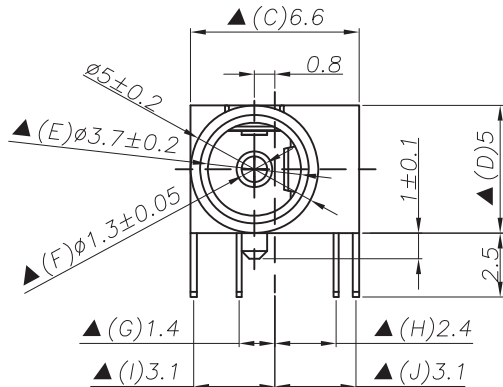


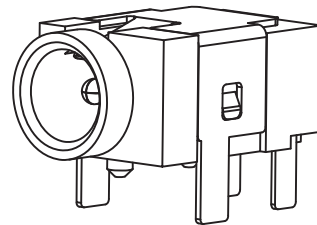
P. C. B Layout (Copper-sided view)



DC MATE PLUG

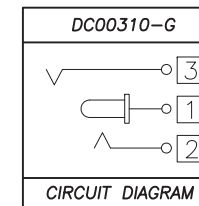
SPECIFICATION

1. Rating : DC 30V 1A;
2. Contact resistance: $\leq 30m\Omega$;
3. Insulation resistance: $\geq 100M\Omega$ (DC250V);
4. Withstand voltage: 500VAC ;
5. Insertion and extraction force: 3-30N;
6. life test: 5,000 cycles;
7. Sign "▲" is importance dimension.



DC 0 0 3 1 0 - G □ 9T 0A S 0 4
 (1) (2) (3) (4) (5) (6) (7) (8) (9)

- (1): Series type: DC=DC POWER JACK
- (2): Series No.
- (3): Schematic option: G
- (4): Center pin diameter:
C=φ1.0 , E=φ1.3
- (5): Material of housing:
9T=PA9T (Standard)
- (6): Housing color:
0A=Black
- (7): Terminal plating:
S=Silver (Ag)
- (8): Special option:
0=No special option
- (9): Packing mode:
4=Bag packing



Model No.	DC00310-GC	DC00310-GE
PIN	φ1.0	φ1.3

NO.	DESCRIPTION	QTY	MATERIAL	PLATING
④	Tip spring II	3	Phosphor Bronze	Silver(Ag) plating
③	Tip spring I	2	Phosphor Bronze	Silver(Ag) plating
②	Center pin	1	Brass	Silver(Ag) plating
①	Housing	1	PA9T	

UNIT: MM	TYPE: DC POWER JACK	MODEL NO: DC00310-G_9T0AS04	PAPER NO: A4	PAGE 1 OF 1
			TOLERANCE	ANGLES
			±0.3	±2°
			SCALE	VER
			FULL	1

DESIGNER BY: Li wenhui 2009.8.27	淮洋有限公司 HUAI YANG CO., LTD. www.hy1688.com.tw TEL:886-2-82618986
CHECK BY:	
APPROVED BY:	