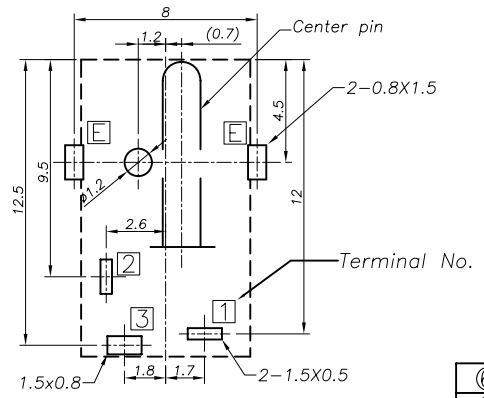
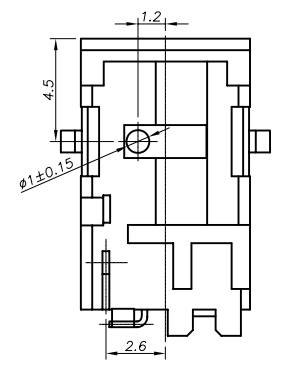
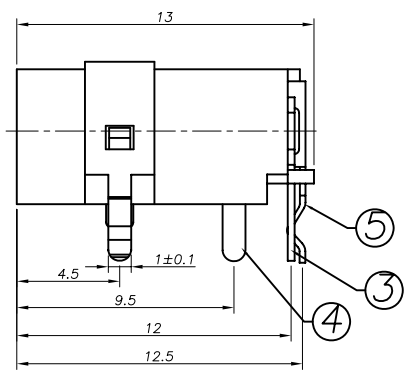
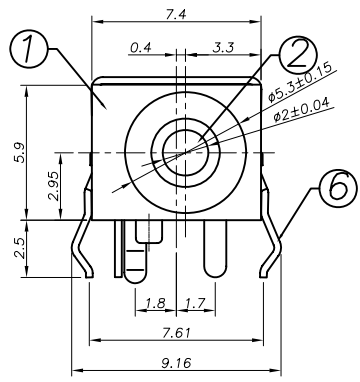
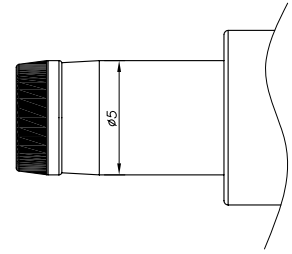


REV. LTR.	DESCRIPTION	SIGN	DATE



P. C. B Layout  
(Copper-sided view)



- SPECIFICATION**
1. Rating : DC 20V 3.0A;
  2. Contact resistance:  $\leq 30m\Omega$ ;
  3. Insulation resistance:  $\geq 100M\Omega$  (DC250V);
  4. Withstand voltage: 500VAC ;
  5. Insertion and extraction force: 3-30N;
  6. life test: 5,000 cycles.

Model No.	DC0030B-A	DC0030B-B
Schematic		

□ : TERMINAL NO.

- Ordering information:**
- DC0030B-□ H □□ □□ S 0 □  
(1) (2) (3) (4) (5) (6) (7) (8)
- (1):Series No
  - (2):Schematic option: A B
  - (3):Center pin diameter:  
H=2.0
  - (4):Material of housing:  
PB=PBT  
46=PA46 (Black)
  - (5):Housing color:  
0A:Black (Standard)  
4B:Yellow(0190)
  - (6):Terminal plating  
S=Silver(Ag) (Standard)  
T=Tin(Sn)  
G=Gold(Au)
  - (7):Special option  
0:No special option
  - (8):Packing mode:  
1:Reel packing  
3:Plastic box packing  
4:Bag packing

NO.	DESCRIPTION	QTY	MATERIAL	PLATING
⑥	Shield plate	1	Brass 0.3t	Silver plating
⑤	Shunt terminal	1	Brass 0.25t	Silver plating
④	Tip spring	1	Phosphor bronze 0.3t	Silver plating
③	Center pin terminal	1	Brass 0.3t	Silver plating
②	Center pin	1	Brass	Nickel plating
①	Housing	1	PBT/PA46	Black

UNIT:MM	TYPE:	MODEL NO:	PAPER NO: A4	PAGE 1 OF 1
	DC POWER JACK	DC0030B-_____S0	TOLERANCE	ANGLES
			±0.3	±2'
			SCALE	VER
			FULL	3

DESIGNER BY: Zhonghong 2009/8/19 淮洋有限公司 HUAIYANG CO., LTD.  
 CHECK BY: \_\_\_\_\_  
 APPROVED BY: \_\_\_\_\_ www.hy1688.com.tw TEL:886-2-82618986