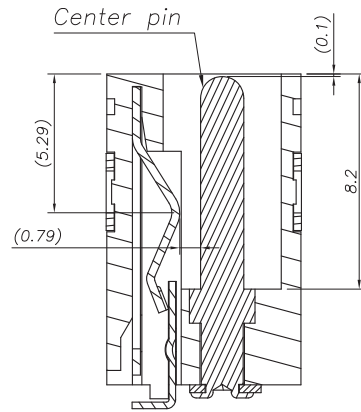
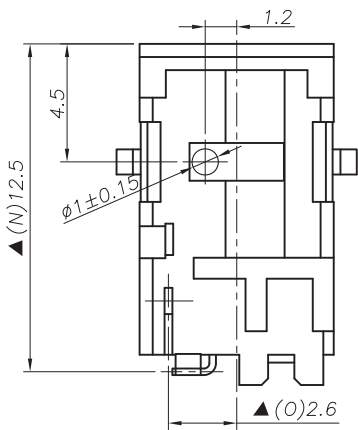
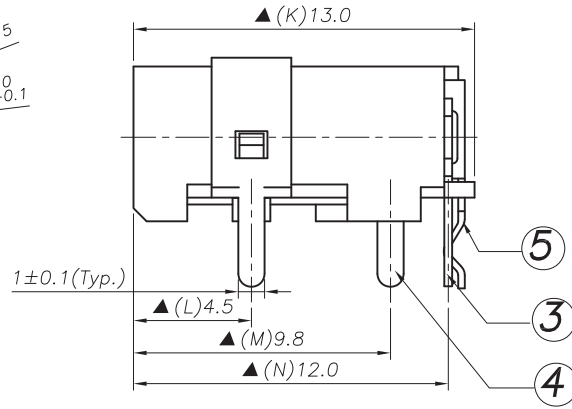
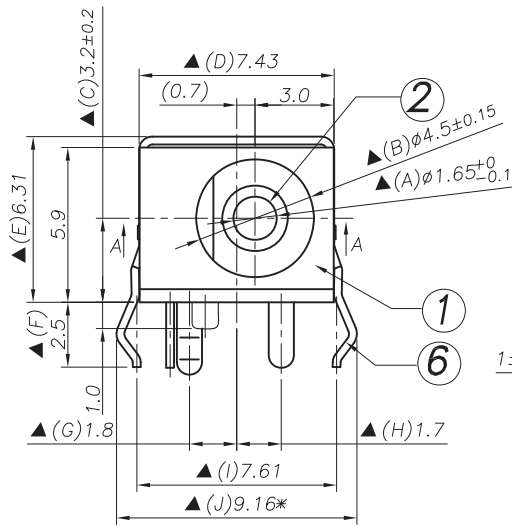
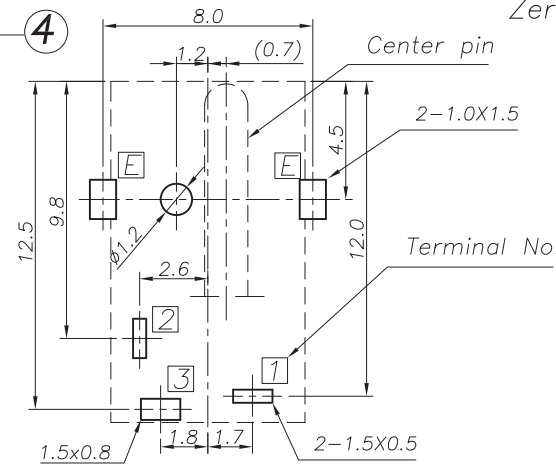


REV. LTR.	DESCRIPTION	SIGN	DATE
	Update drawing	<i>bull.pan</i>	2011.05.11.
▲ X1	Add section view	<i>bull.pan</i>	2011.07.27.



▲ SECTION:A-A



RECOMMENDED P. C. B. LAYOUT
UNSPECIFIED TOLERANCE: ±0.05
(BOTTOM VIEW)

Ordering information:

DC00300- G S 0

(1) (2) (3) (4) (5) (6) (7) (8)

(1): Series No.

(2): Schematic option: A, B

(3): Center pin diameter: G=φ1.65

(4): Material of housing:
PB=PBT (Standard) 46=PA46

(5): Housing color:

Zero 0A=Black (Standard)
4B=Yellow (0190=PBT)

(6): Terminal plating
S=Silver (Ag) (Standard)

(7): Special option:
0: No special option

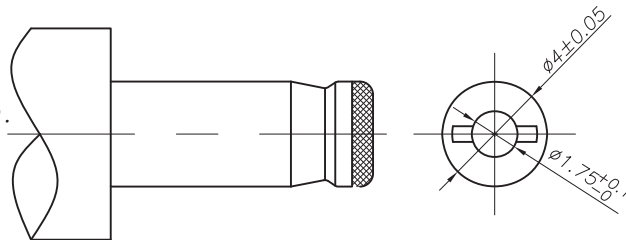
(8): Packing mode:
3=Plastic box packing
4=Bag packing

Model No.	DC00300-A	DC00300-B
Schematic		

Circuit Diagram : Terminal No.

Specification:

- Rating: DC 20V 3A.
- Contact resistance: ≤30mΩ.
After test: ≤50mΩ.
- Insulation resistance: ≥100MΩ (500VDC).
After test: ≥50MΩ.
- Withstanding voltage: 500VAC.
- Insertion and extraction force: 3N~30N.
- Life test: 5000cycles min.
- Operation temperature range: -20°C ~70°C.
- Preservative temperature range: -40°C ~85°C.
- Sign "▲" is importance dimension.



DC MATE PLUG

NO.	DESCRIPTION	QTY	MATERIAL	PART NO.	REMARK
6	Earth terminal	1	Brass t0.3	DC00300-050	Silver plating
5	Shunt terminal	1	Brass t0.25	DC00300-03	Silver plating
4	Tip spring	1	Phosphor bronze t0.3	DC00300-02	Silver plating
3	Center pin terminal	1	Brass t0.3	DC00300-01	Silver plating
2	Center pin	1	Copper alloy	DC00300-99G	Nickel plating
1	Housing	1	PBT/PA46	DC00300-S1	

UNIT: MM	TYPE:	MODEL NO:	PAPER NO: A4	PAGE 1 OF 1
	DC POWER JACK	DC00300- G _ _ _ S0 _	TOLERANCE	SCALE
			±0.3	N/A
			ANGLES	VER
			±2'	07
DESIGNER BY:	<i>Bull.pan</i> 2011.07.27		海洋有限公司 HUAI YANG CO., LTD. www.hy1688.com.tw TEL:886-2-82618986	
CHECK BY:	<i>Matt</i> 2011.07.27			
APPROVED BY:	<i>Ocean</i> 2011.07.27			