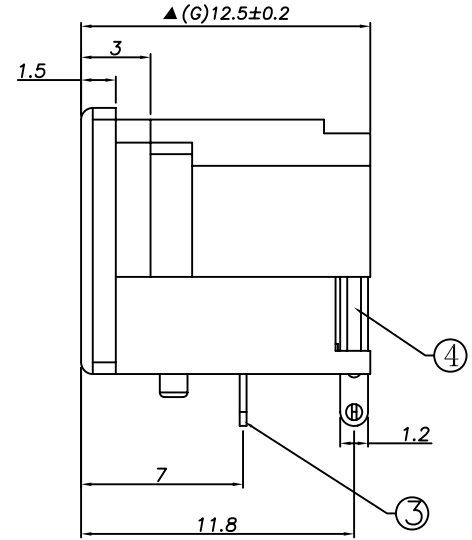
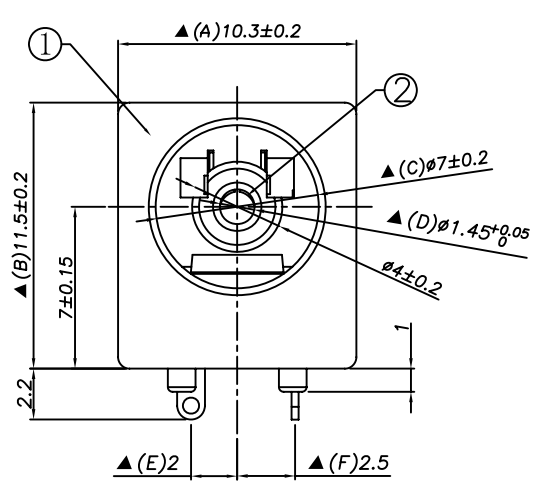
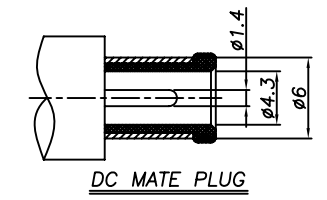
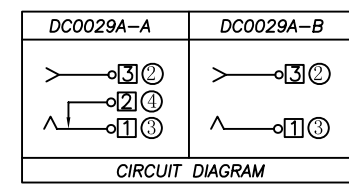
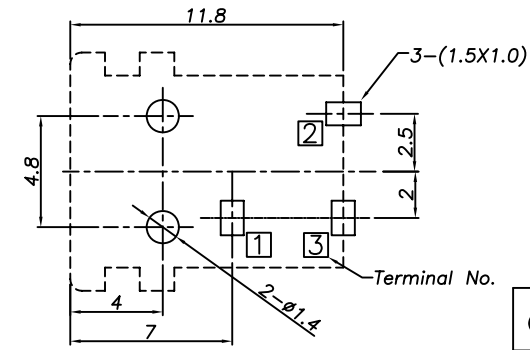
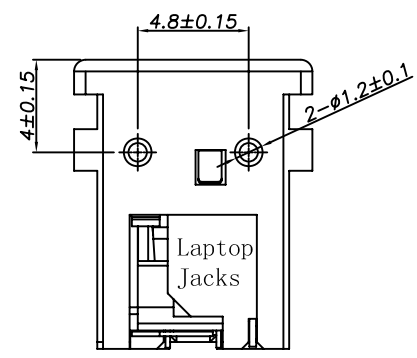


REV. LTR.	DESCRIPTION	SIGN	DATE



Ordering information:  
**DC 0029A-□ F \_ \_ 0A S 0 4**  
 (1) (2) (3) (4) (5) (6) (7) (8) (9)  
 (1):Series type:DC=DC POWER JACK  
 (2):Series No.  
 (3):Schematic option: A,B  
 (4):Center pin diameter:  
 F=∅1.45  
 (5):Material of housing:  
 PB=PBT , 66=PA66  
 (6):Housing color:  
**Zero**— 0A=Black (Standard)  
 (7):Terminal plating  
 S=Silver(Ag)  
 (8):Special option:  
**Zero**— 0=No special option  
 (9):Packing mode:  
 4=Bag packing



**SPECIFICATION**  
 1. Rating : DC 20V 2.5A;  
 2. Contact resistance: ≤30mΩ;  
 After test:≤50mΩ  
 3. Insulation resistance: ≥100MΩ (DC500V);  
 After test:≥50MΩ  
 4. Withstand voltage: 500VAC ;  
 5. Insertion and extraction force: 3-30N;  
 6. life test: 5,000 cycles;  
 7. Operation temperature range:-20° C~70° C;  
 8. Preservative temperature range:-40° C~85° C;  
 9. Sign"▲ "is importance dimension

Recommended PCB Layout (Tolerance±0.05)  
 (Printed-sided View)

④	Shunt terminal ②	1	Brass t=0.3	DC0029A-02 (DC0029A-04-02)	Silver plating
③	Tip spring ①	1	phosphor bronzet t=0.3	DC0029A-01 (DC0029-04-01)	Silver plating
②	Center Terminal ③	1	phosphor bronze t=0.2	DC0029A-03 (DC0029-04-03)	Silver plating
①	Housing	1	PBT/PA66	DC0029A-S1 (DC0029A-04-04)	Black

NO.	DESCRIPTION	QTY	MATERIAL	PART NO.	REMARK
UNIT:MM		TYPE:		MODEL NO:	
		DC POWER JACK		DC0029A-_F_ _OAS04	
				PAPER NO: A4	PAGE 1 OF 1
				TOLERANCE	ANGLES
				±0.3	±2'
				SCALE	VER
				FULL	2

DESIGNER BY: Zhang Xuke 2011.3.24  
 CHECK BY:  
 APPROVED BY:  
 淮洋有限公司 HUAI YANG CO., LTD.  
 www.hy1688.com.tw TEL:886-2-82618986