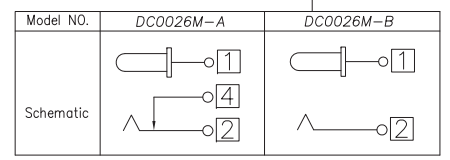
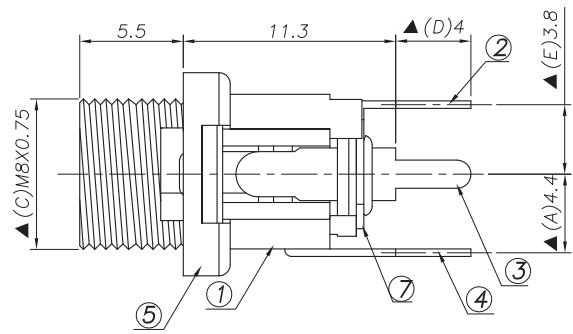
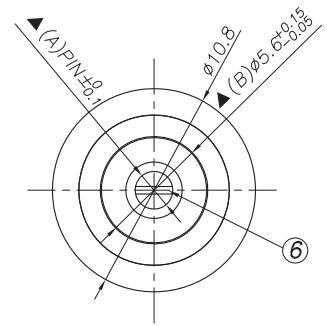
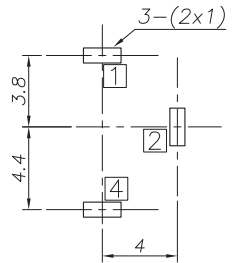


REV. LTR.	DESCRIPTION	SIGN	DATE

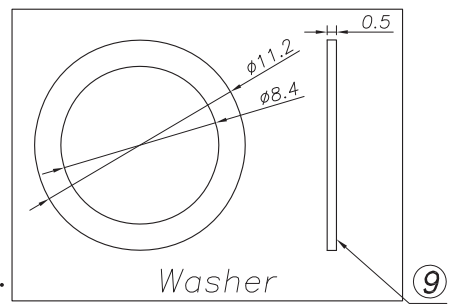
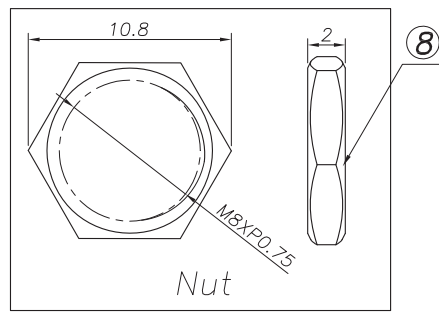


□: TERMINAL NO.

Model No.	DC0026M-_H	DC0026M-_I	DC0026M-_J
PIN	Ø2.0	Ø2.35	Ø2.5



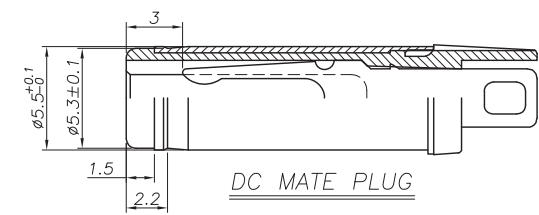
RECOMMENDED P. C. B. LAYOUT  
UNSPECIFIED TOLERANCE: ±0.05  
(BOTTOM VIEW)



Ordering information:

DC0026M-□ □ PB 0A C 0 4  
(1) (2) (3) (4) (5) (6) (7) (8)

- (1): Series No
- (2): Schematic option: A B
- (3): Center pin diameter: H=2.0 I=2.35 J=2.5
- (4): Material of housing: PB=PBT
- (5): Housing color: 0A=Black
- (6): Terminal plating:  
C=Copper&tin alloy plating
- (7): Special option: 0=No special option
- (8): Packing mode: 4=Bag packing



Specification:

1. Rating : DC 30V 0.5A.
2. Contact resistance: ≤30mΩ.  
After test: ≤50mΩ
3. Insulation resistance: ≥100MΩ (500VDC).  
After test: ≥50MΩ
4. Withstanding voltage: 500VAC.
5. Insertion and extraction force: 3N~30N.
6. life test: 5000cycles min.
7. Operation temperature range: -20°C~70°C.
8. Preservative temperature range: -40°C~85°C.
9. Sign"▲" is importance dimension.

NO.	DESCRIPTION	QTY	MATERIAL	REMARK
⑨	Washer-2	1	Spcc	Nickel plating
⑧	Nut	1	Copper alloy	Nickel plating
⑦	Washer-1	2	Bakelite	
⑥	Pin	1	Copper alloy	Nickel plating
⑤	Bushing	1	Copper alloy	Nickel plating
④	Shunt Terminal	④	Brass	Copper&tin plating
③	Tip Spring	②	Phosphor bronze	Copper&tin plating
②	Center pin terminal	①	Brass	Copper&tin plating
①	Housing	1	PA66	Black

UNIT:MM	TYPE:	MODEL NO:	PAPER NO: A4	PAGE 1 OF 1
☉	▷	DC POWER JACK	DC0026M-_ _660AS04	TOLERANCE ANGLES SCALE VER
DESIGNER BY:	Matt 2012.06.26	准洋有限公司 HUAI YANG CO., LTD.		
CHECK BY:		www.hy1688.com.tw TEL:886-2-82618986		
APPROVED BY:				