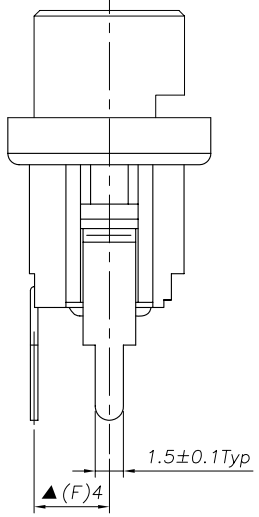
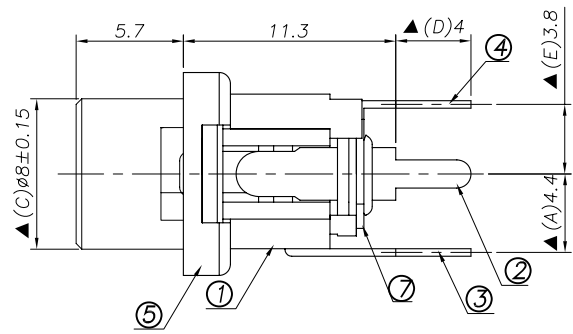
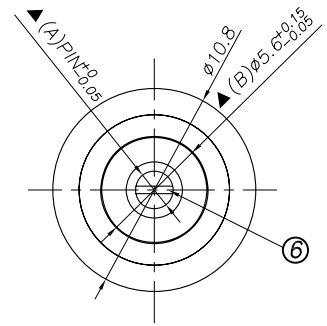


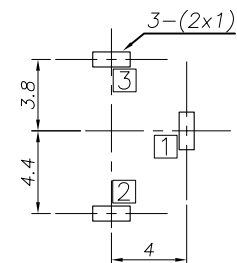
| REV. LTR. | DESCRIPTION | SIGN | DATE |
|-----------|----------------|------|------------|
| | Update drawing | PD X | 2011.07.12 |



| Model NO. | DC00260-A | DC00260-B |
|-----------|-----------|-----------|
| Schematic | | |

□: TERMINAL NO.

| Model No. | DC00260--H | DC00260--I | DC00260--J |
|-----------|------------|------------|------------|
| PIN | ø2.0 | ø2.35 | ø2.5 |

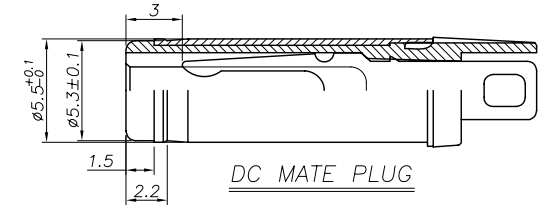


RECOMMENDED P. C. B. LAYOUT
UNSPECIFIED TOLERANCE: ±0.05
(BOTTOM VIEW)

Ordering information:

DC00260-□ □ 66 0A C 0 4
(1) (2) (3) (4) (5) (6) (7) (8)

- (1): Series No
- (2): Schematic option: A B
- (3): Center pin diameter: H=2.0 I=2.35 J=2.5
- (4): Material of housing: 66=PA66
- (5): Housing color: 0A=Black
- (6): Terminal plating:
C=Copper&tin alloy plating
- (7): Special option: 0=No special option
- (8): Packing mode: 4=Bag packing



Specification:

1. Rating : DC 30V 3A.
2. Contact resistance: ≤30mΩ.
After test: ≤50mΩ
3. Insulation resistance: ≥100MΩ (500VDC).
After test: ≥50MΩ
4. Withstanding voltage: 500VAC.
5. Insertion and extraction force: 3N~30N.
6. life test: 5000cycles min.
7. Operation temperature range: -20℃~70℃.
8. Preservative temperature range: -40℃~85℃.
9. Sign "▲" is importance dimension.

| | | | | |
|---|---------------------|---|-----------------|--------------------|
| 7 | Washer | 2 | Bakelite | |
| 6 | Pin | 1 | Copper alloy | Nickel plating |
| 5 | Bushing | 1 | Copper alloy | Nickel plating |
| 4 | Shunt Terminal | 3 | Brass | Copper&tin plating |
| 3 | Tip Spring | 2 | Phosphor bronze | Copper&tin plating |
| 2 | Center pin terminal | 1 | Brass | Copper&tin plating |
| 1 | Housing | 1 | PA66 | Black |

| NO. | DESCRIPTION | QTY | MATERIAL | REMARK |
|------------------------------|-------------|-----------------------------|----------|--------------|
| UNIT: MM | | TYPE: | | MODEL NO: |
| TYPE: DC POWER JACK | | MODEL NO: DC00260--_660AC04 | | PAPER NO: A4 |
| DESIGNER BY: PD X 2011.07.12 | | CHECK BY: | | PAGE 1 OF 1 |
| APPROVED BY: | | TOLERANCE: ±0.3 | | ANGLES: ±2' |
| | | SCALE: N/A | | VER: 2 |

淮洋有限公司 HUAI YANG CO., LTD.
www.hy1688.com.tw TEL:886-2-82618986