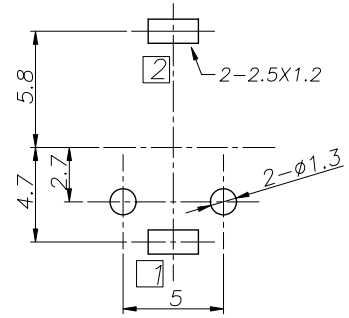
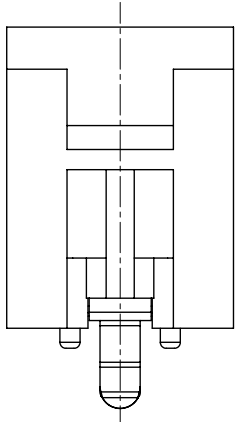
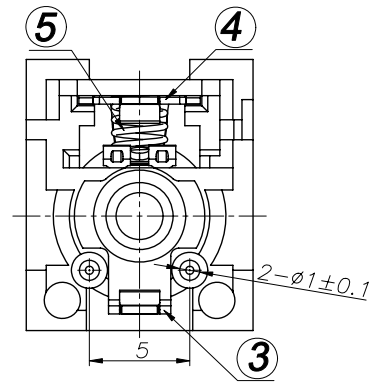
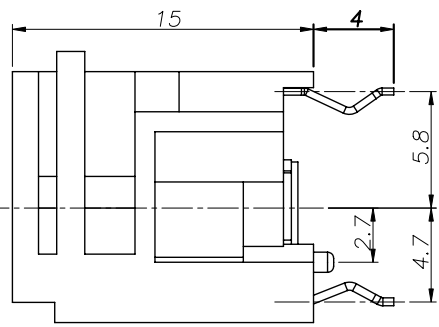
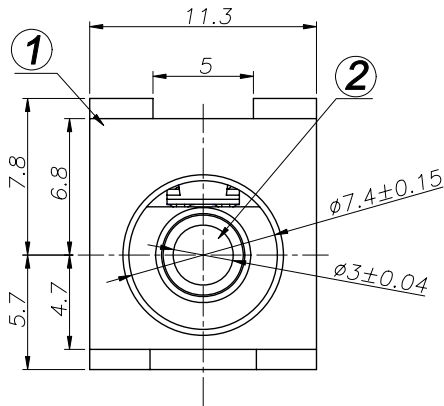
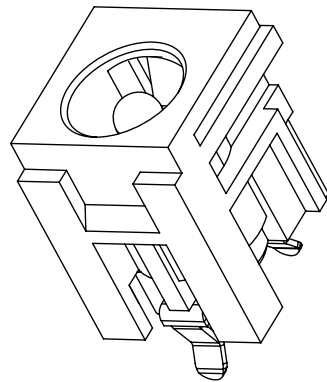


REV. LTR.	DESCRIPTION	SIGN	DATE



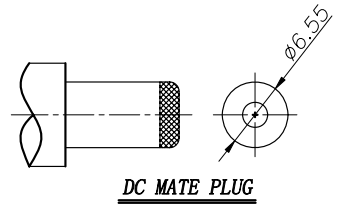
**P. C. B Layout**  
(Copper-sided view)



Model NO.	DC00240-B
Schematic	

- Ordering information:**  
**DC00240-B K PB 0A C 0 4**  
 (1) (2) (3) (4) (5) (6) (7) (8)
- (1): Series No
  - (2): Schematic option: B
  - (3): Center pin diameter: K=3.0
  - (4): Material of housing:  
PB=PBT (Standard)  
66=PA66
  - (5): Housing color:  
0A=Black(Standard)
  - (6): Terminal plating  
C=Copper&tin(Standard)  
S=Silver(Ag)  
T=Tin(Sn)
  - (7): Special option  
0=No special option
  - (8): Packing mode:  
4=Bag packing

- SPECIFICATION**
1. Rating □DC 20V 5.0A
  2. Contact resistance □ $\leq 30m\Omega$
  3. Insulation resistance □ $\geq 100M\Omega$  (DC250V)
  4. Withstand voltage □500VAC
  5. Insertion and extraction force □3-30N;
  6. life test □5,000 cycles



NO.	DESCRIPTION	QTY	MATERIAL	PART NO.	PLATING
⑤	Spring	1	Spring steel	DC00240-66	Nickel-Plating
④	Tip spring	1	Phosphor bronze	DC00240-02	CuSn-Plating
③	Center pin contact	1	Brass	DC00240-01	CuSn-Plating
②	Center pin	1	Copper alloy	DC00240-99K	Nickel-Plating
①	Housing	1	PBT/PA66	DC00240-S1	

UNIT:MM	TYPE:	MODEL NO:	PAPER NO: A4	PAGE 1 OF 1	
	DC POWER JACK	DC00240-BKPBOAC04	TOLERANCE	ANGLES	SCALE
			±0.3	±2°	FULL
				VER	1

DESIGNER BY: zhuhong 09/4/18  
 CHECK BY:  
 APPROVED BY:

淮洋有限公司 HUIYANG CO., LTD.  
 www.hy1688.com.tw TEL:886-2-82618986