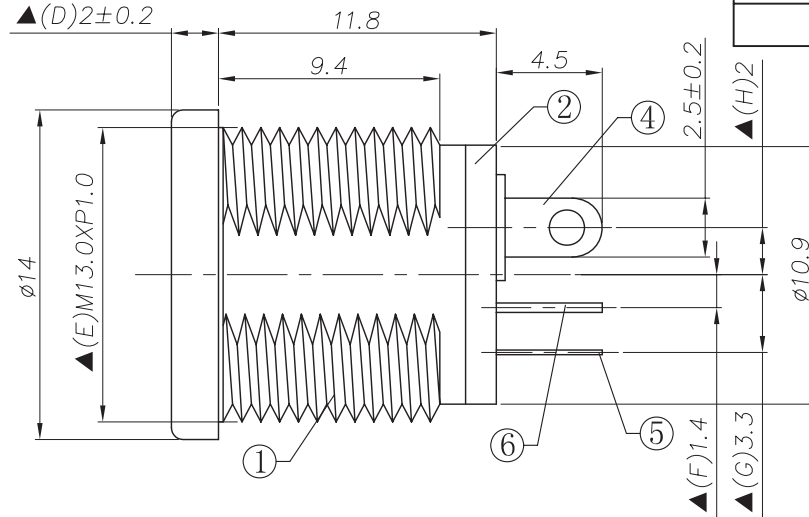
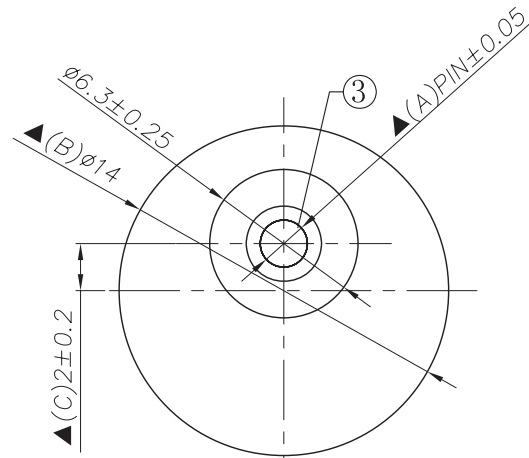
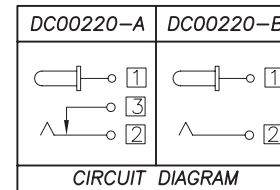
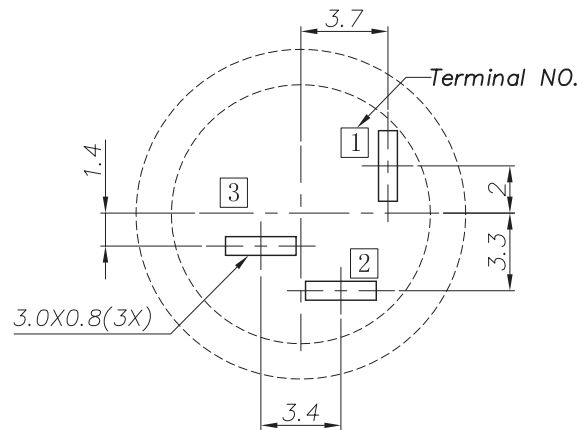
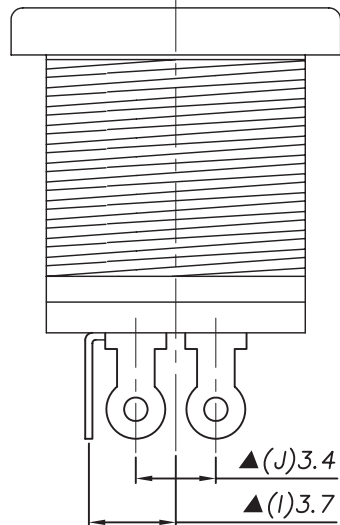


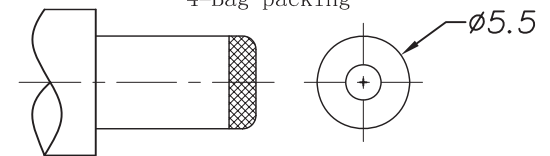
| REV. LTR. | DESCRIPTION | SIGN | DATE |
|-----------|-----------------------|------------|------------|
| △1 | Modify special option | Zhangxiuke | 2011.06.28 |



Ordering information:
 DC00220-□ □ PB OA T _ 4
 (1) (2) (3) (4) (5) (6) (7) (8)
 (1):Series No.
 (2):Schematic option: A, B
 (3):Center pin diameter:
 H=ø2.0, I=ø2.35, J=ø2.5
 (4):Material of housing:
 PB=PBT (Standard),
 (5):Housing color:
 0A=Black
 (6):Terminal plating:
 T=Tin (Sn)
 △ (7):Special option:
 0=Mate metal nut
 1=Mate plastic nut
 (8):Packing mode:
 4=Bag packing



□ : TERMINAL NO.



DC MATE PLUG

| Model No. | DC00220- <u>H</u> | DC00220- <u>I</u> | DC00220- <u>J</u> |
|-----------|-------------------|-------------------|-------------------|
| PIN | ø2.0 | ø2.35 | ø2.5 |

Specification:

- Rating : DC 20V 2.5A.
- Contact resistance: ≤50mΩ.
After test: ≤100mΩ
- Insulation resistance: ≥100MΩ (500VDC).
After test: ≥50MΩ
- Withstanding voltage: 500VAC.
- Insertion and extraction force: 3N~30N.
- life test: 5000cycles min.
- Operation temperature range: -20°C~70°C.
- Preservative temperature range: -40°C~85°C.
- Sign "▲" is importance dimension.

RECOMMENDED P. C. B. LAYOUT
 UNSPECIFIED TOLERANCE: ±0.05
 (BOTTOM VIEW)

| NO. | DESCRIPTION | QTY | MATERIAL | REMARK |
|-----|---------------------|-----|-----------------------|----------------|
| ⑥ | Shunt terminal | ③ 1 | Brass t0.3 | Tin plating |
| ⑤ | Tip spring | ② 1 | Stainless steel t0.25 | Tin plating |
| ④ | Center pin terminal | ① 1 | Brass t0.3 | Tin plating |
| ③ | Center pin | ① 1 | Copper alloy | Nickel plating |
| ② | Cover | 1 | PF | |
| ① | Housing | 1 | PBT | Black |

| UNIT:MM | TYPE: | MODEL NO: | PAPER NO: A4 | PAGE 1 OF 1 |
|---------|---------------|-----------------------------|--------------|-------------|
| | DC POWER JACK | DC00220- <u> </u> _PBOAT_4 | TOLERANCE | ANGLES |
| | | | ±0.3 | ±2' |
| | | | SCALE | VER |
| | | | N/A | 03 |

| | | |
|--------------|------------|--|
| DESIGNER BY: | Zhangxiuke | 淮洋有限公司 HUAI YANG CO., LTD. www.hy1688.com.tw TEL:886-2-82618986 |
| CHECK BY: | 2011.06.28 | |
| APPROVED BY: | | |