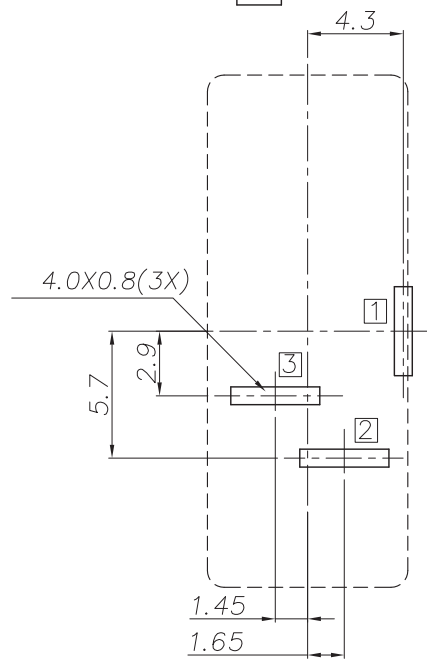
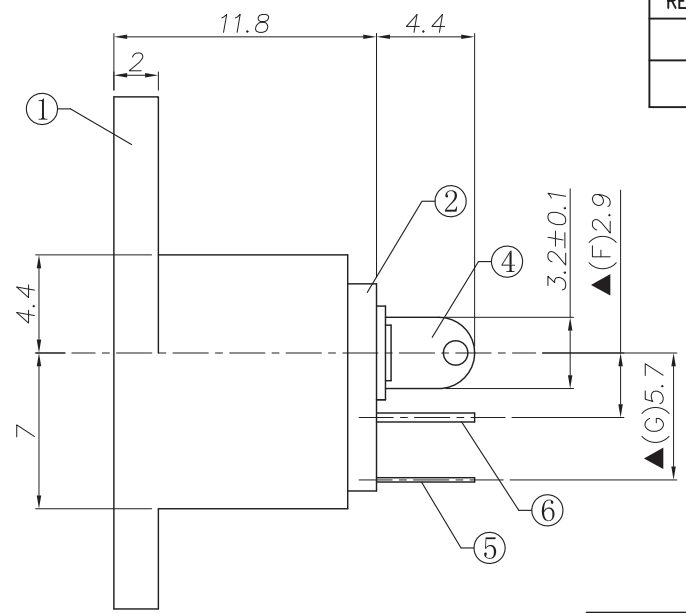
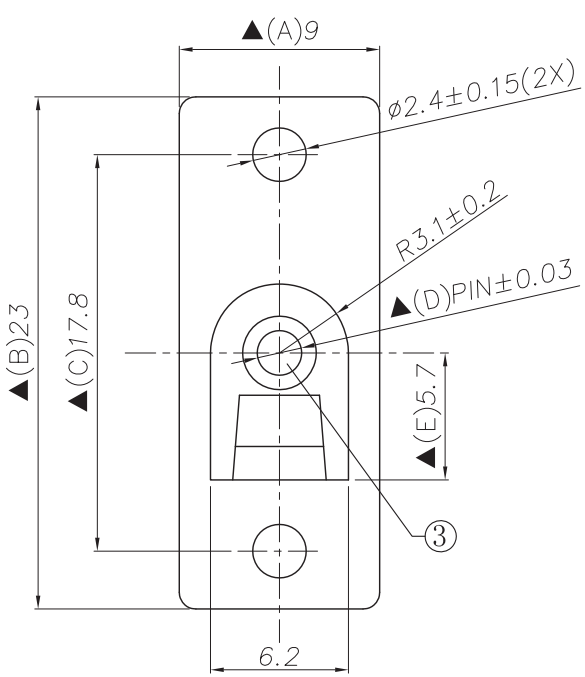
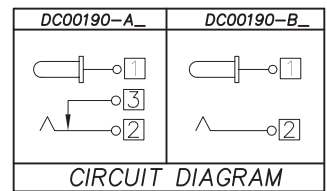


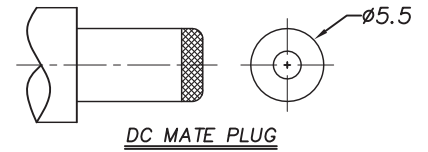
| | | | |
|-----------|----------------|-----------|-------------|
| REV. LTR. | DESCRIPTION | SIGN | DATE |
| | Update drawing | Zhang,sk. | 2011.06.22. |



RECOMMENDED P. C. B. LAYOUT
UNSPECIFIED TOLERANCE: ±0.05
(BOTTOM VIEW)



| | | | |
|-----------|----------------------|----------------------|----------------------|
| Model No. | DC00190- <u> </u> H | DC00190- <u> </u> I | DC00190- <u> </u> J |
| PIN | φ2.0 | φ2.35 | φ2.5 |



- Ordering information:
DC00190 - □ □ PB 0A T 0 4
 (1) (2) (3) (4) (5) (6) (7) (8)
- (1): Series No.
 - (2): Schematic option:
A, B
 - (3): Center pin diameter:
H=φ2.0, I=φ2.35, J=φ2.5
 - (4): Material of housing:
PB=PBT (Standard)
 - (5): Housing color:
Zero → 0A=Black
 - (6): Terminal plating:
T=Tin (Sn)
 - (7): Special option:
0=No special option
 - (8): Packing mode:
4=Bag packing

- Specification:
1. Rating : DC 20V 2.5A.
 2. Contact resistance: ≤50mΩ.
After test: ≤100mΩ.
 3. Insulation resistance: ≥100MΩ (500VDC).
After test: ≥50MΩ.
 4. Withstanding voltage: 500VAC.
 5. Insertion and extraction force: 3N-30N.
 6. life test: 5000cycles min.
 7. Operation temperature range: -20°C~70°C.
 8. Preservative temperature range: -40°C~85°C.
 9. Sign "▲" is importance dimension.

| | | | | | |
|---|---------------------|---|---|-----------------|----------------|
| ⑥ | Shunt terminal | ③ | 1 | Brass | Tin plating |
| ⑤ | Tip spring | ② | 1 | Stainless steel | Tin plating |
| ④ | Center pin terminal | ① | 1 | Brass | Tin plating |
| ③ | Center pin | | 1 | Copper alloy | Nickel plating |
| ② | Cover | | 1 | PBT | Black |
| ① | Housing | | 1 | PBT | Black |

| NO. | DESCRIPTION | QTY | MATERIAL | REMARK |
|----------|---------------|----------------------------|--------------|-------------|
| UNIT: MM | TYPE: | MODEL NO: | PAPER NO: A4 | PAGE 1 OF 1 |
| | DC POWER JACK | DC00190- <u> </u> PB0AT04 | TOLERANCE | SCALE |
| | | | ±0.3 | N/A |
| | | | ANGLES | VER |
| | | | ±2' | 03 |

DESIGNER BY: Zhang,sk 2011.06.22
 CHECK BY: Matt 2011.06.22
 APPROVED BY: Ocean 2011.06.22

淮 洋 有 限 公 司 HUAI YANG CO., LTD.
 www.hy1688.com.tw TEL:886-2-82618986