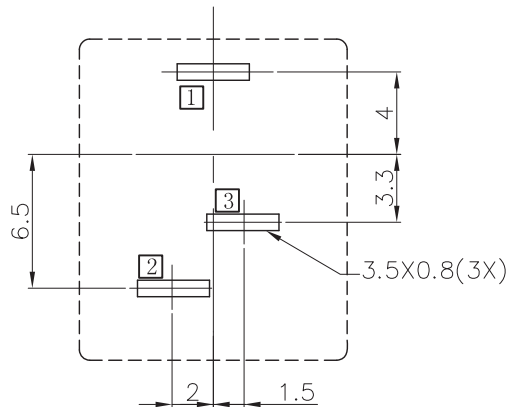
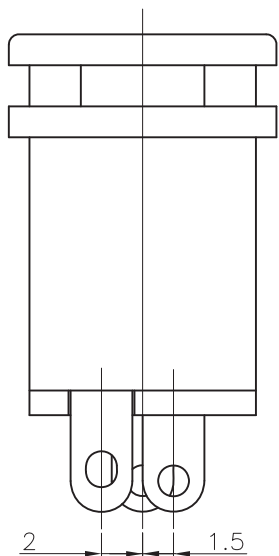
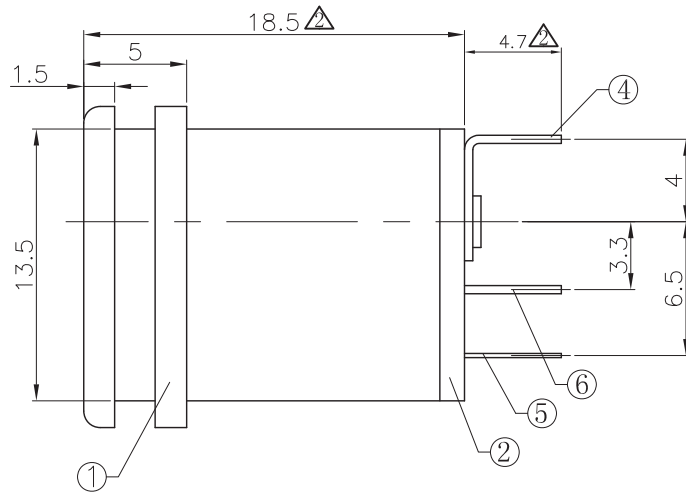
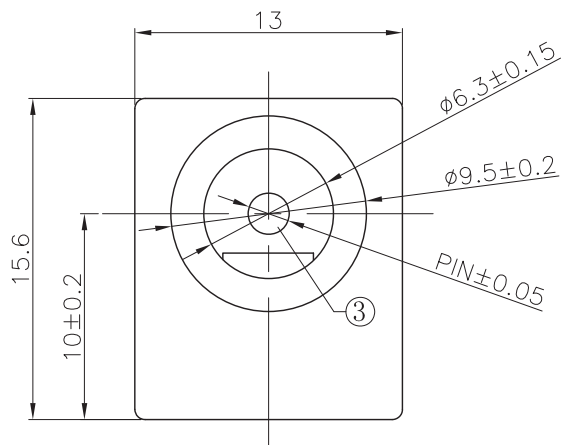
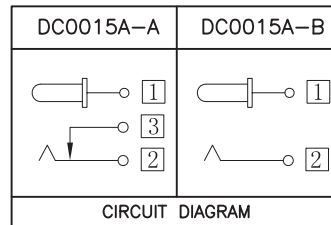


REV. Q'TY	ECN. NO.	REASON&CONTENTS	SIGN	DATE
		Update drawing	Matt	2012.11.05



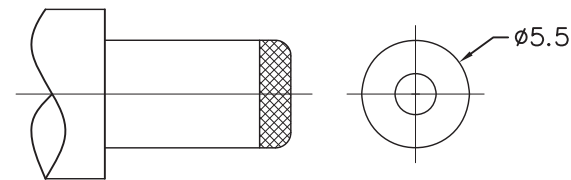
RECOMMENDED P. C. B. LAYOUT  
UNSPECIFIED TOLERANCE: ±0.05  
(TOP VIEW)



□ : TERMINAL NO.

Model No.	DC0015A-_H	DC0015A-_J
PIN	ø2.0	ø2.5

Ordering information:  
DC0015A- □ □ PB 0A T 0 4  
(1) (2) (3) (4) (5) (6) (7) (8)  
(1):Series No.  
(2):Schematic option: A, B  
(3):Center hole diameter:  
H=ø2.0 J=ø2.5  
(4):Material of housing:  
PB=PBT  
(5):Housing color:  
Zero → 0A=Black  
(6):Terminal plating:  
T=Tin(Sn)  
(7):Special option:  
0=No special option  
(8):Packing mode:  
4=Bag packing



DC MATE PLUG

Specification:

1. Rating : DC 20V 2.5A;
2. Contact resistance: ≤50mΩ ;  
After test: ≤100mΩ
3. Insulation resistance: ≥100MΩ (500VDC);  
After test: ≥50MΩ
4. Withstanding voltage: 500VAC ;
5. Insertion and extraction force: 3N~30N;
6. Life test: 5000 cycles min;
7. Operation temperature range:-20°C~70°C
8. Preservative temperature range:-40°C~85°C

⑥	Shunt terminal	③	1	Copper alloy	Tin plating
⑤	Tip spring	②	1	Manganese steel	Tin plating
④	Center pin terminal	①	1	Copper alloy	Tin plating
③	Center pin		1	Copper alloy	CuSn/Nickel plating
②	Cover		1	PF	
①	Housing		1	Thermoplastic	Black
NO.	DESCRIPTION	QTY	MATERIAL	REMARK	

UNIT:MM 	TOLERANCE		TYPE: DC POWER JACK	MODEL NO: DC0015A-__PB0AT04	DRAWING TYPE: CUSTOMER DRAWING	
	DIMENSIONS	ANGLES		DRAWING No: BSCR-0000-0006	SCALE: N/A	VER. : 03
DESIGNER BY:	Matt 2012.11.05		海洋有限公司 HUI YANG CO., LTD. www.hy1688.com.tw TEL:886-2-82618986			
CHECK BY:	BF 2012.11.05					
APPROVED BY:	JI 2012.11.05					