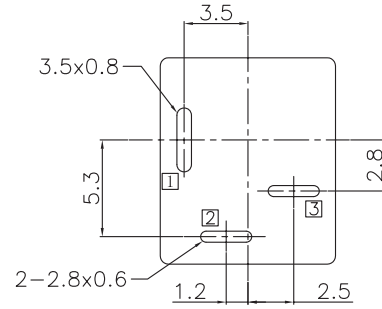


REV.	ECN. NO.	DESCRIPTION	APPD.

P. C. B Layout (TOP VIEW)



DC 0 0 1 2 D - A □ P B 0 A S 0 4

(1) (2) (3) (4) (5) (6) (7) (8) (9)

(1):Series type:DC=DC POWER JACK

(2):Series No.

(3):Schematic option: A

(4):Center pin diameter:
H:∅2.0 , I:∅2.35 , J:∅2.5

(5):Material of housing:
PB=PBT (Standard)

(6):Housing color:

0A=Black (426C)

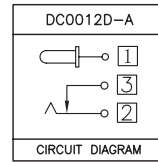
(7):Terminal plating:

S=Silver (Ag)

(8):Special option:
0=No special option

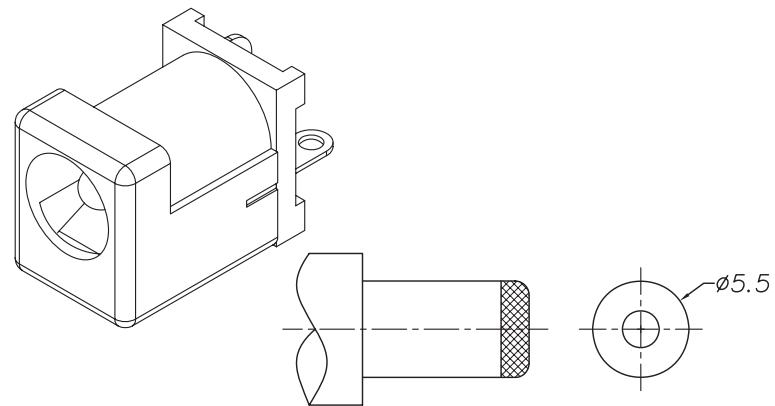
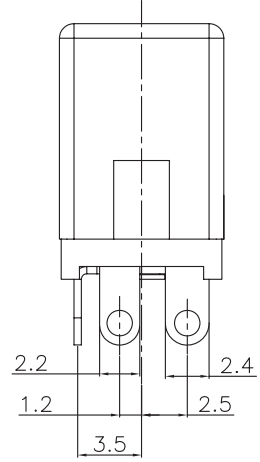
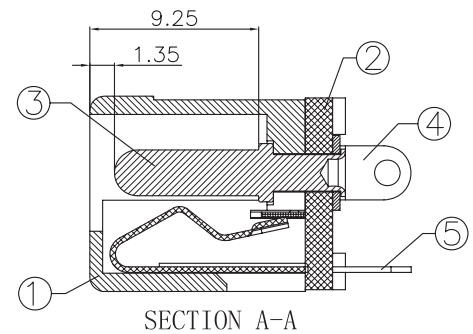
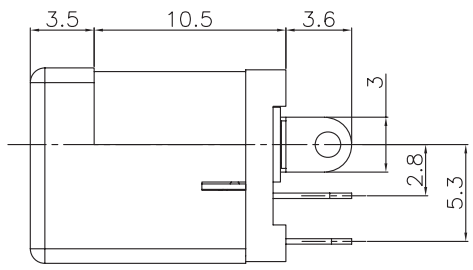
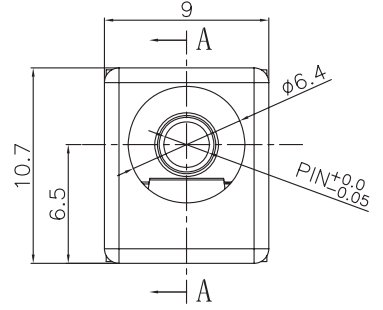
(9):Packing mode:

4=Bag packing



□ : TERMINAL NO.

Model No.	DC0012D-H	DC0012D-I	DC0012D-J
PIN	∅2.0	∅2.35	∅2.5



DC MATE PLUG

- SPECIFICATION
- 1.Rating : DC 20V 3A;
 - 2.Contact resistance: ≤30mΩ;
 - 3.Insulation resistance: ≥100MΩ (DC250V);
 - 4.Withstand voltage: 500VAC ;
 - 5.Insertion and extraction force: 3-30N;
 - 6.life test: 5,000 cycles.

⑥	Shunt terminal	③	1	Brass t=0.3	DC0012D-03	Silver plating
⑤	Tip spring	②	1	Phosphor bronze t=0.3	DC0012D-02	Silver plating
④	Center pin terminal	①	1	Brass t=0.4	DC0012D-01	Silver plating
③	Center pin	①	1	Brass	DC00050-99H/I/J	Nickel plating
②	Cover		1	PBT	DC0012D-S2	
①	Housing		1	PBT	DC50060-S1	

NO.	DESCRIPTION	QTY	MATERIAL	PART NO.	PLATING	
UNIT:MM	TYPE:	MODEL NO:	PAPER NO: A4	PAGE 1 OF 1		
⊕	DC POWER JACK	DC0012D-A_PB0AS04	TOLERANCE	ANGLES	SCALE	VER
			±0.3	±2'	FULL	3

DESIGNER BY: Li wenhui 2009.3.7
 CHECK BY:
 APPROVED BY:
 淮洋有限公司 HUAI YANG CO., LTD.
 www.hy1688.com.tw TEL:886-2-82610858