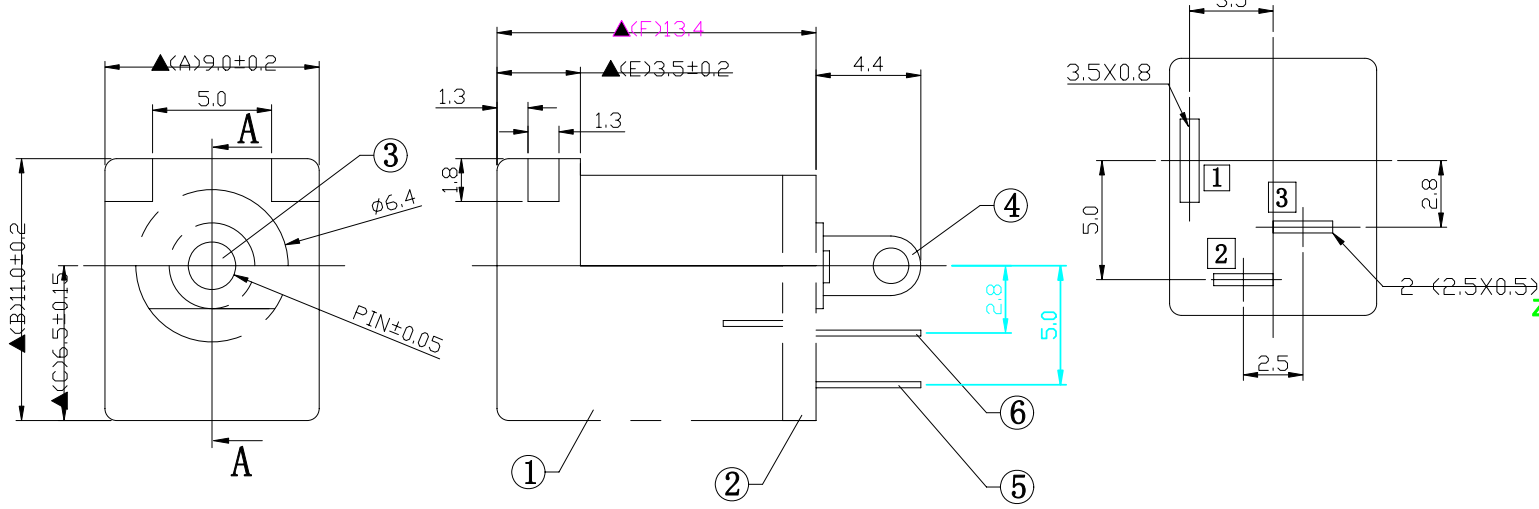


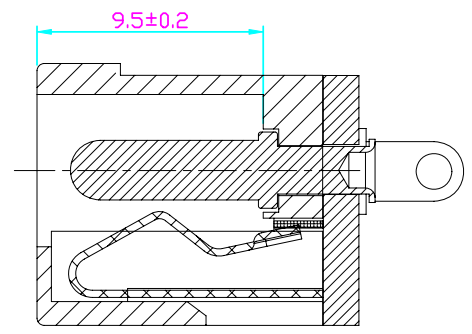
| REV. LTR. | DESCRIPTION | SIGN | DATE |
|-----------|-------------|------|------|
| | | | |

P. C. B Layout (Copper-sided view)



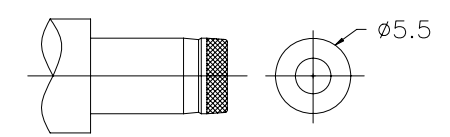
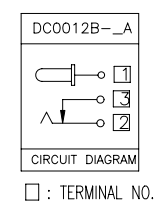
DC 0 0 1 2 B - A □ PB 0A S 0 4

- (1) (2) (3) (4) (5) (6) (7) (8) (9)
- (1) :Series type:DC=DC POWER JACK
 - (2) :Series No.
 - (3) :Schematic option: A
 - (4) :Center pin diameter:
H=02.0, I=02.35, J=02.5
 - (5) :Material of housing:
9T=PA9T (Standard)
 - (6) :Housing color:
0A=Black
 - (7) :Terminal plating:
S=Silver (Ag)
 - (8) :Special option:
0=No special option
 - (9) :Packing mode:
4=Bag packing



SECTION A-A

| Model No. | DC0012B-H | DC0012B-I | DC0012B-J |
|-----------|-----------|-----------|-----------|
| PIN | 02.0 | 02.35 | 02.5 |



DC MATE PLUG

SPECIFICATION

1. Rating □DC 30V 0.5A
2. Contact resistance □ $\leq 30m\Omega$
3. Insulation resistance □ $\geq 100M\Omega$ (DC500V)
4. Withstand voltage □500VAC
5. Insertion and extraction force □3-30N;
6. life test □5,000 cycles;
7. Operation temperature range: -20°C ' 70°C;
8. Preservative temperature range: -40°C ' 85°C;
9. Sign "▲" is importance dimension.

| | | | | | |
|---|---------------------|---|---|-----------------|----------------|
| 6 | Shunt terminal | 3 | 1 | Brass | Silver plating |
| 5 | Tip spring | 2 | 1 | Phosphor bronze | Silver plating |
| 4 | Center pin terminal | 1 | 1 | Brass | Silver plating |
| 3 | Center pin | 1 | 1 | Brass | Nickel plating |
| 2 | Cover | 1 | 1 | PBT | Black |
| 1 | Housing | 1 | 1 | PBT | Black |

| NO. | DESCRIPTION | QTY | MATERIAL | REMARK |
|--------------|---------------------|--|--------------|-------------|
| UNIT:MM | TYPE: | MODEL NO: | PAPER NO: A4 | PAGE 1 OF 1 |
| | DC POWER JACK | DC0012B-A_PB0AS04 | TOLERANCE | ANGLES |
| DESIGNER BY: | Wangyan 2010. 8. 30 | 准洋有限公司 HUIYANG CO., LTD. www.hy1688.com.tw TEL:886-2-82610858 | | |
| CHECK BY: | | SCALE | VER | |
| APPROVED BY: | | ±0.3 | ±2° | FULL 2 |