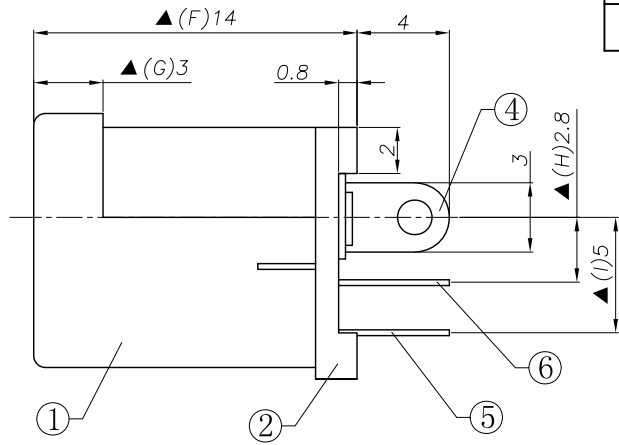
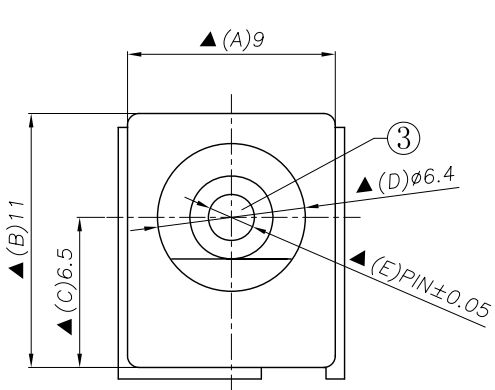


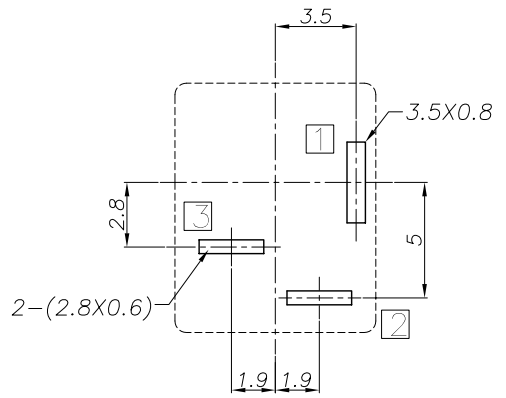
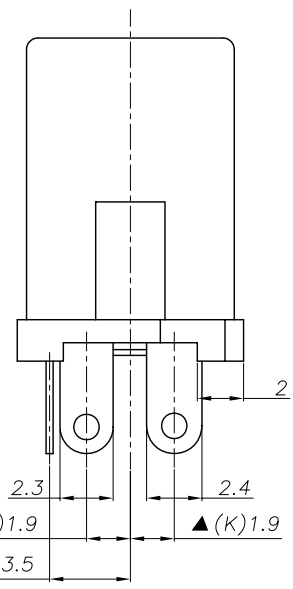
REV. LTR.	DESCRIPTION	SIGN	DATE



Ordering information:

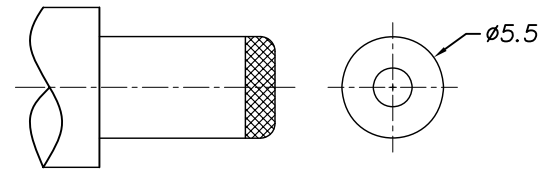
DC 0 0 1 2 A - A □ PB 0A S 0 4

- (1): Series type: DC=DC POWER JACK
- (2): Series No.
- (3): Schematic option: A
- (4): Center pin diameter:
H=ø2.0, J=ø2.5
- (5): Material of housing:
PB=PBT (Standard)
- (6): Housing color:
0A=Black
- (7): Terminal plating:
S=Silver (Ag)
- (8): Special option:
0=No special option
- (9): Packing mode:
4=Bag packing



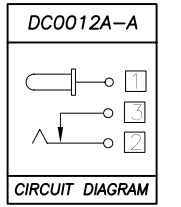
P. C. B Layout (Copper-sided view)

Model No.	DC0012A- <u> </u> H	DC0012A- <u> </u> J
PIN	ø2.0	ø2.5



DC MATE PLUG

- SPECIFICATION**
1. Rating : DC 20V 2.5A;
 2. Contact resistance: ≤ 50mΩ;
 3. Insulation resistance: ≥ 100MΩ (DC500V);
 4. Withstand voltage: 500VAC ;
 5. Insertion and extraction force: 3-30N;
 6. life test: 5,000 cycles;
 7. Operation temperature range: -20°C~70°C;
 8. Preservative temperature range: -40°C~85°C;
 9. Sign "▲" is importance dimension.



□ : TERMINAL NO.

⑥	Shunt terminal	③	1	Brass t=0.3	Silver plating
⑤	Tip spring	②	1	Stainless steel t=0.2	Silver plating
④	Center pin terminal	①	1	Brass t=0.35	Silver plating
③	Center pin	①	1	Brass	CuSn/Nickel plating
②	Cover		1	PBT	
①	Housing		1	PBT	

NO.	DESCRIPTION	QTY	MATERIAL	REMARK
UNIT: MM	TYPE:	MODEL NO:	PAPER NO: A4	PAGE 1 OF 1
	DC POWER JACK	DC0012A-A_PB0AS04	TOLERANCE	SCALE
			±0.3	FULL
			ANGLES	VER
			±2'	2

DESIGNER BY: *Li Wenhui 2009.12.8*

CHECK BY:

APPROVED BY:

淮洋有限公司 HUAI YANG CO., LTD.
www.hy1688.com.tw TEL:886-2-82610858