

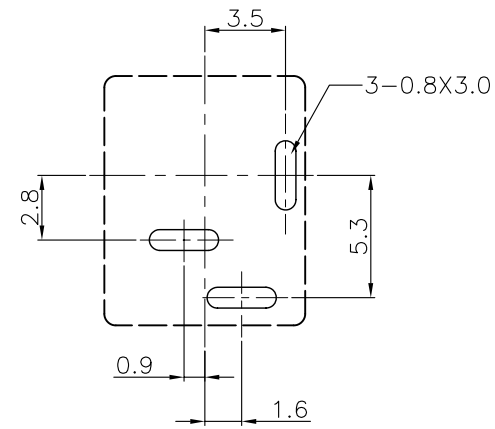
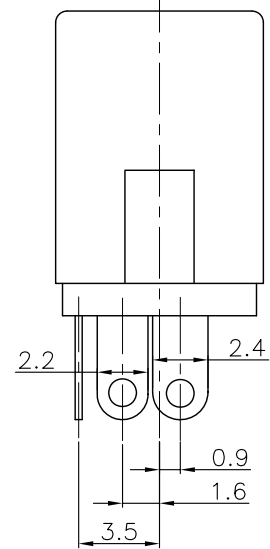
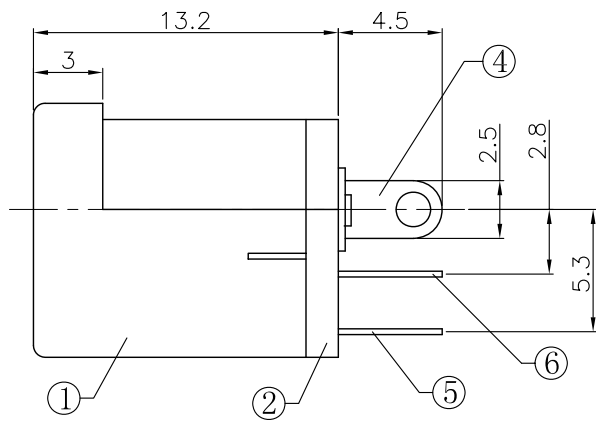
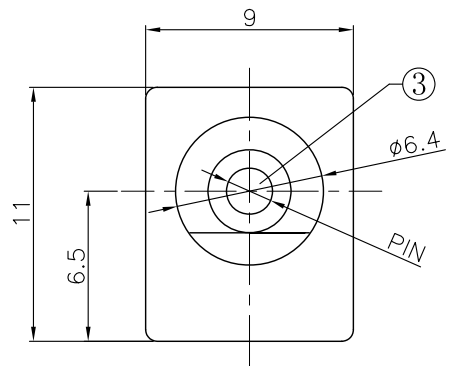
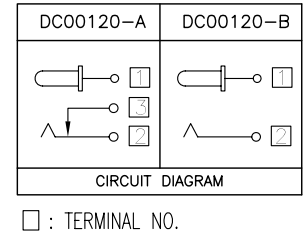
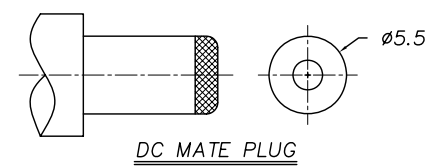
| | | | |
|-----------|-------------|------|------|
| REV. LTR. | DESCRIPTION | SIGN | DATE |
| | | | |
| | | | |

Ordering information:

DC 0 0 1 2 0 - PB S 0 4
 (1) (2) (3) (4) (5) (6) (7) (8) (9)

- (1): Series type: DC=DC POWER JACK
- (2): Series No.
- (3): Schematic option:
A, B
- (4): Center pin diameter:
H=∅2.0, I=∅2.35, J=∅2.5
- (5): Material of housing:
PB=PBT (Standard)
- (6): Housing color:
Zero 0A=Black, 4H=Yellow(0039)
- (7): Terminal plating:
S=Silver (Ag)
- (8): Special option:
0=No special option
- (9): Packing mode:
4=Bag packing

| | | | |
|-----------|-------------|-------------|-------------|
| Model No. | DC00120-__H | DC00120-__I | DC00120-__J |
| PIN | ∅2.0 | ∅2.35 | ∅2.5 |



P. C. B Layout
(Copper-sided view)

SPECIFICATION

1. Rating : DC 20V 2A;
2. Contact resistance: ≤50mΩ;
3. Insulation resistance: ≥100MΩ (DC500V);
4. Withstand voltage: 500VAC ;
5. Insertion and extraction force: 3-30N;
6. life test: 5,000 cycles;
7. Operation temperature range: -20°C~70°C;
8. Preservative temperature range: -40°C~85°C;

| | | | | | |
|---|---------------------|-------------------------------------|---|----------------|---------------------|
| ⑥ | Shunt terminal | <input checked="" type="checkbox"/> | 1 | Brass t=0.3 | Silver plating |
| ⑤ | Tip spring | <input checked="" type="checkbox"/> | 1 | Mn steel t=0.2 | Silver plating |
| ④ | Center pin terminal | <input type="checkbox"/> | 1 | Brass t=0.3 | Silver plating |
| ③ | Center pin | <input type="checkbox"/> | 1 | Brass | CuSn/Nickel plating |
| ② | Cover | <input type="checkbox"/> | 1 | PF | |
| ① | Housing | <input type="checkbox"/> | 1 | PBT | |

| NO. | DESCRIPTION | QTY | MATERIAL | REMARK |
|----------|---------------|-------------------|--------------|-------------|
| UNIT: MM | TYPE: | MODEL NO: | PAPER NO: A4 | PAGE 1 OF 1 |
| | DC POWER JACK | DC00120-__PB__S04 | TOLERANCE | ANGLES |
| | | | ±0.3 | ±2' |
| | | | SCALE | VER |
| | | | FULL | 1 |

| | | |
|--------------|--------------------|--|
| DESIGNER BY: | Li Wenhui 2010.1.6 | 淮洋有限公司 HUAI YANG CO., LTD. www.hy1688.com.tw TEL:886-2-82610858 |
| CHECK BY: | | |
| APPROVED BY: | | |