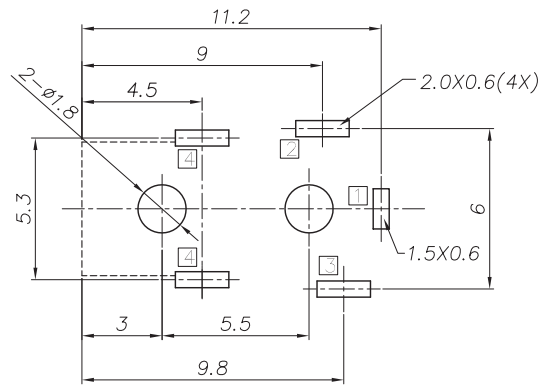
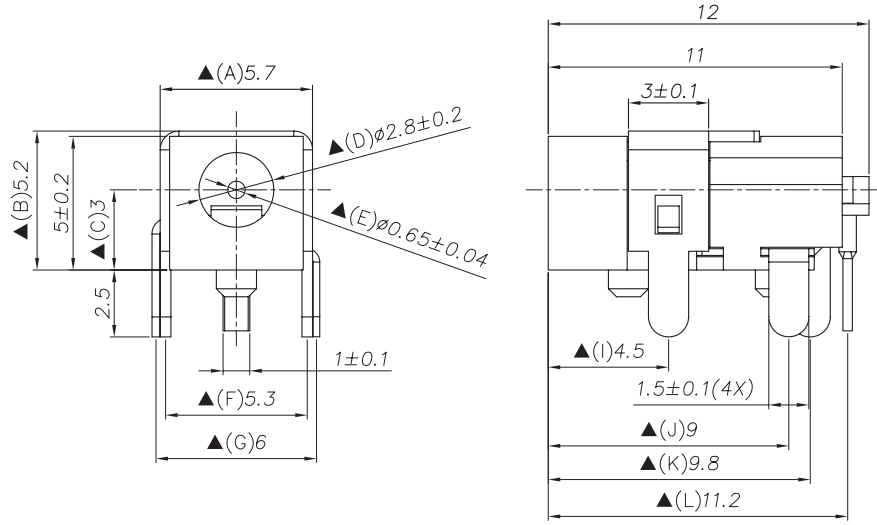
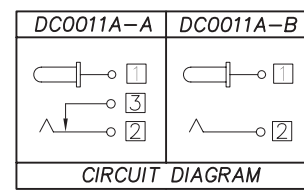
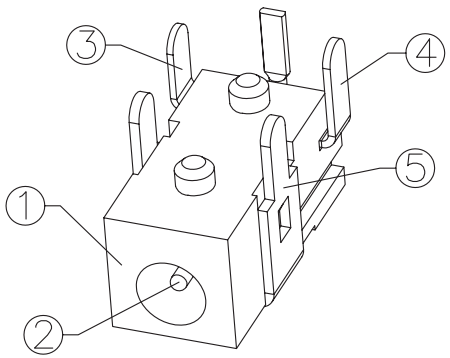
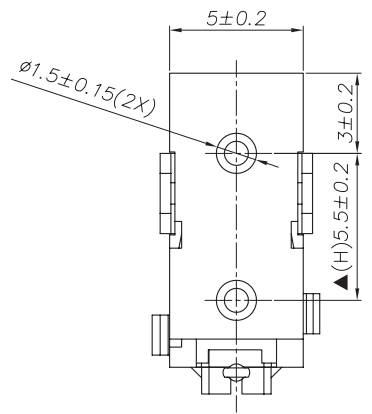


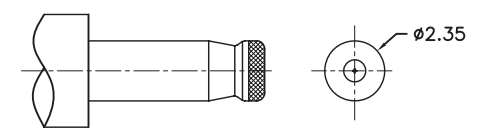
REV. LTR.	DESCRIPTION	SIGN	DATE
	Update drawing	Zhang, ak.	2011.05.16.



Ordering information:  
DC0011A - □ A PB 0A S 0 4  
 (1) (2) (3) (4) (5) (6) (7) (8)  
 (1):Series No.  
 (2):Schematic option:  
 A、B  
 (3):Center pin diameter:  
 A=ø0.65  
 (4):Material of housing:  
 PB=PBT (Standard)  
 (5):Housing color:  
 Zero → 0A=Black  
 (6):Terminal plating:  
 S=Silver (Ag)  
 (7):Special option:  
 0=No special option  
 (8):Packing mode:  
 4=Bag packing



□ : TERMINAL NO.



DC MATE PLUG

Specification:

- Rating : DC 30V 1A.
- Contact resistance: ≤30mΩ.  
After test: ≤50mΩ.
- Insulation resistance: ≥100MΩ (500VDC).  
After test: ≥50MΩ.
- Withstanding voltage: 500VAC.
- Insertion and extraction force: 3N~30N.
- life test: 5000cycles min.
- Operation temperature range: -20℃~70℃.
- Preservative temperature range: -40℃~85℃.
- Sign"▲" is importance dimension.

⑤	Shell	④	1	Brass t0.4	DC0011A-W1(JA-378)	Silver plating			
④	Shunt terminal	③	1	Brass t0.3	DC0011A-03(WP-376)	Silver plating			
③	Tip spring	②	1	Beryllium bronze t0.25	DC0011A-02(TP-377)	Silver plating			
②	Center pin	①	1	Bronze	DC0011A-01(YZ-379)	Silver plating			
①	Housing		1	PBT,UL 94V-0	DC0011B-S1(ST-695)	Black			
NO.	DESCRIPTION	QTY	MATERIAL		PART NO.	REMARK			
UNIT: MM		TYPE:		MODEL NO:		PAPER NO: A4	PAGE 1 OF 1		
		DC POWER JACK		DC0011A-_APB0AS04		TOLERANCE	ANGLES	SCALE	VER
						±0.3	±2'	FULL	03
DESIGNER BY:		Zhangxiuke 2011.05.16				淮洋有限公司 HUAI YANG CO., LTD. www.hy1688.com.tw TEL:886-2-82610858			
CHECK BY:									
APPROVED BY:									