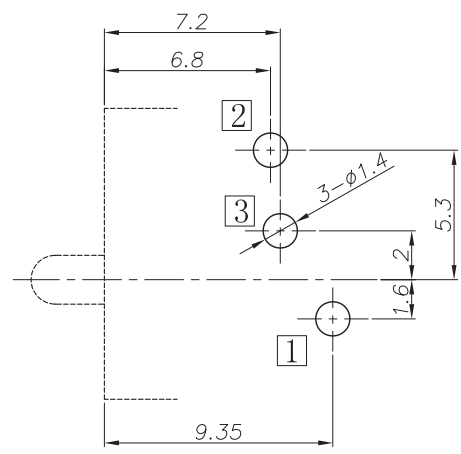
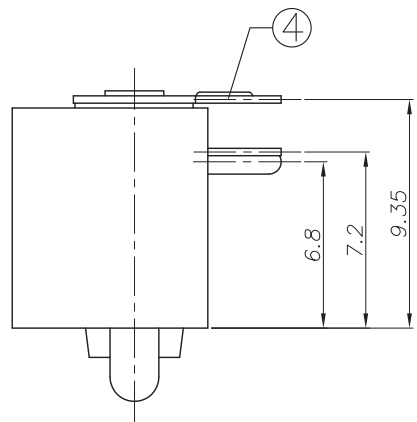
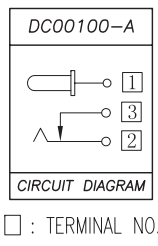
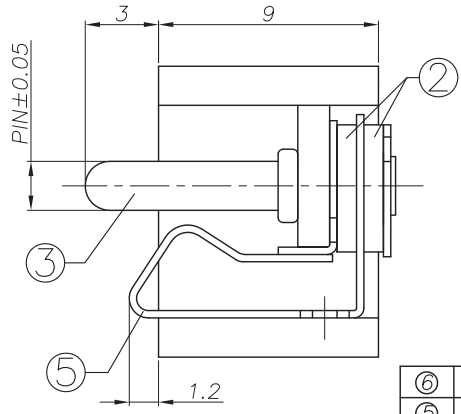
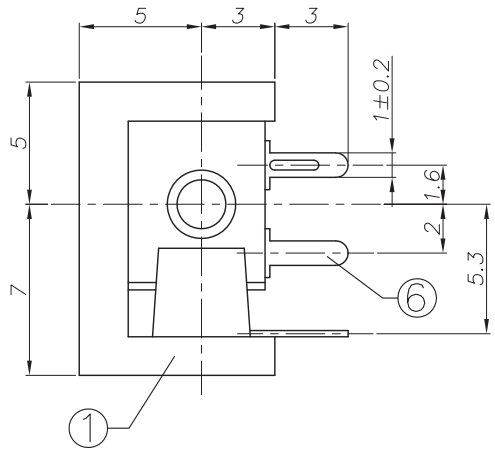


REV. LTR.	DESCRIPTION	SIGN	DATE

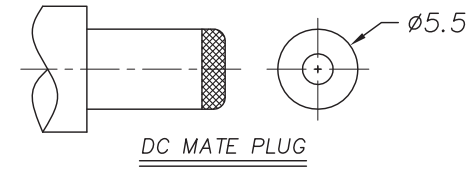


P. C. B Layout (Top view)



Ordering information:

- DC 0 0 1 0 0 - A □ PB 0A S 0 4
 (1) (2) (3) (4) (5) (6) (7) (8) (9)
- (1):Series type:DC=DC POWER JACK
 - (2):Series No.
 - (3):Schematic option: A
 - (4):Center pin diameter:
H=∅2.0 , I=∅2.35 , J=∅2.5
 - (5):Material of housing:
PB=PBT
 - (6):Housing color:
0A=Black
 - (7):Terminal plating:
S=Silver(Ag) C=Copper&tin alloy
 - (8):Special option:
0=No special option
 - (9):Packing mode:
4=Bag packing



Model No.	DC00100-H	DC00100-I	DC00100-J
PIN	∅2.0	∅2.35	∅2.5

- SPECIFICATION**
- 1.Rating : DC 20V 2A;
 - 2.Contact resistance: ≤50mΩ;
 - 3.Insulation resistance: ≥100MΩ (DC500V);
 - 4.Withstand voltage: 500VAC ;
 - 5.Insertion and extraction force: 3-30N;
 - 6.life test: 5,000 cycles;
 - 7.Operation temperature range:-20°C~70°C;
 - 8.Preservative temperature range:-40°C~85°C;

⑥	Shunt terminal	③	1	Brass	Silver plating
⑤	Tip spring	②	1	Stainless steel	Silver plating
④	Center pin terminal	①	1	Brass	Silver plating
③	Center pin	①	1	Brass	CuSn/Nickel plating
②	Cover		2	PF	
①	Housing		1	PBT	

NO.	DESCRIPTION	QTY	MATERIAL	REMARK
UNIT: MM	TYPE:	MODEL NO:	PAPER NO: A4	PAGE 1 OF 1
	DC POWER JACK	DC00100-A_PB0AS04	TOLERANCE	ANGLES
DESIGNER BY:	Li Wenhui 2010.5.24	淮 洋 有 限 公 司 HUAI YANG CO., LTD.		
CHECK BY:		www.hy1688.com.tw TEL:886-2-82618986		
APPROVED BY:			SCALE	VER
			±0.3	±2°
			N/A	2