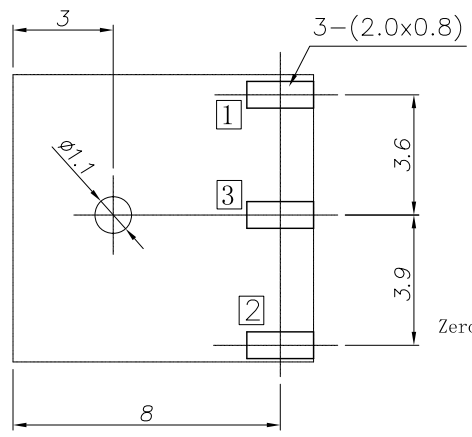
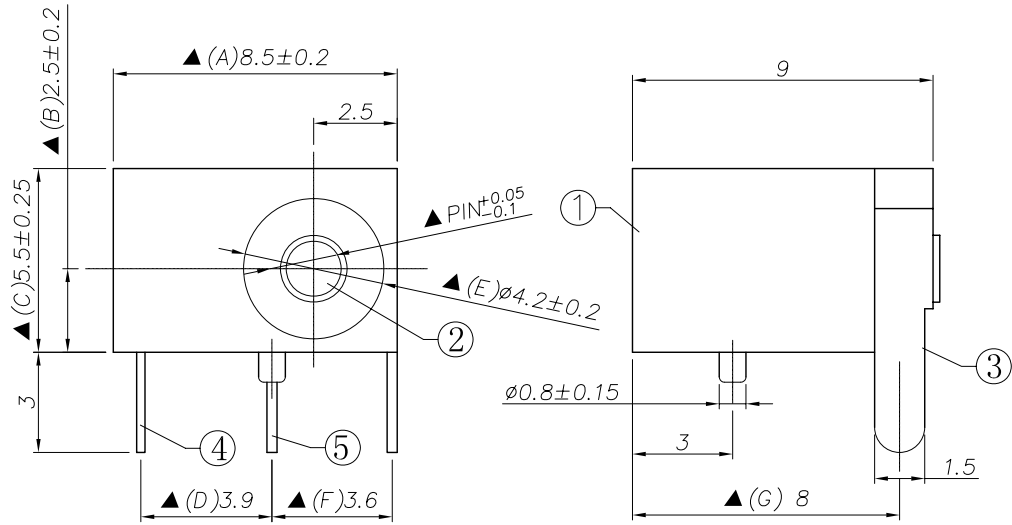
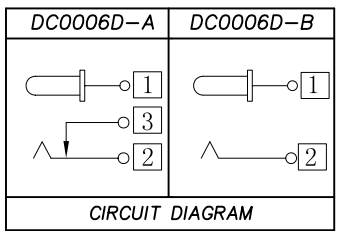
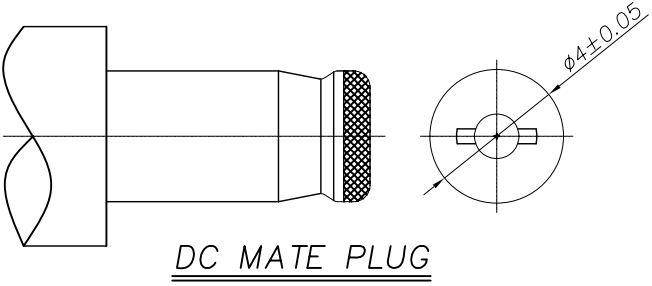


REV. LTR.	DESCRIPTION	SIGN	DATE



Recommended PCB Layout
(Tolerance ±0.05)
(Copper-sided View)

Ordering information:
 DC 0006D - □ □ 66 0A T 0 4
 (1) (2) (3) (4) (5) (6) (7) (8) (9)
 (1):Series type:DC=DC POWER JACK
 (2):Series No.
 (3):Schematic option:
 A,B
 (4):Center pin diameter:
 G=∅1.65,H=∅2.0
 (5):Material of housing:
 66=PA66 (Standard)
 (6):Housing color:
 0A=Black
 (7):Terminal plating:
 T=Tin (Sn)
 (8):Special option:
 0=No special option
 (9):Packing mode:
 4=Bag packing



□ : TERMINAL NO.

Model No.	DC0006D- <u>G</u>	DC0006D- <u>H</u>
PIN	∅1.65	∅2.0

- SPECIFICATION**
- Rating : DC 20V 2A;
 - Contact resistance: ≤30mΩ ;
After test: ≤50mΩ ;
 - Insulation resistance: ≥100MΩ (DC500V);
 - Withstand voltage: 500VAC ;
 - Insertion and extraction force: 3-30N;
 - life test: 5,000 cycles;
 - Operation temperature range:-20° C~70° C;
 - Preservative temperature range:-40° C~85° C;
 - Sign"▲"is importance dimension.

⑤	Shunt terminal	□	1	Brass,0.3t	DC0006D-03(WP-903)	Tin plating
④	Tip spring	□	1	Sainless steel,0.25t	DC0006D-02(TP-897)	Tin plating
③	Center pin terminal	□	1	Brass,0.3t	DC00060-01(PP-898)	Tin plating
②	Center pin	□	1	Brass	DC0006D-99G(YZ-901) DC0006D-99H	Nickel plating
①	Housing		1	PA66	DC00060-S1(ST-895)	Black

NO.	DESCRIPTION	QTY	MATERIAL	PART NO.	REMARK
UNIT: MM		TYPE:		MODEL NO:	
		DC POWER JACK		DC0006D- <u> </u> _660AT04	
DESIGNER BY:		PAPER NO: A4		PAGE 1 OF 1	
CHECK BY:		TOLERANCE		ANGLES	
APPROVED BY:		±0.3		±2°	
		SCALE		FULL	
		VER		3	

DESIGNER BY: Zhang Xiuke 2011.01.14
 CHECK BY:
 APPROVED BY:

淮洋有限公司 HUI YANG CO., LTD.
 www.hy1688.com.tw TEL:886-2-82618986