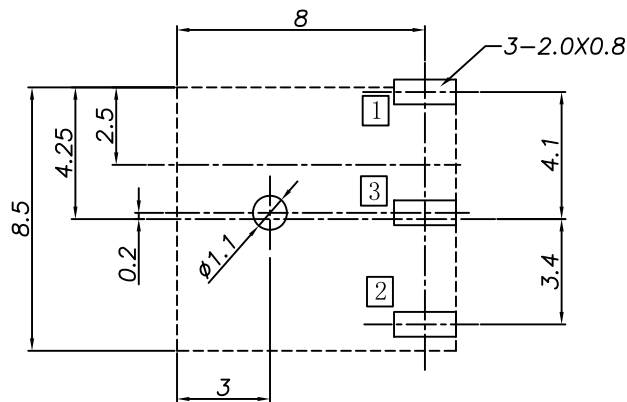
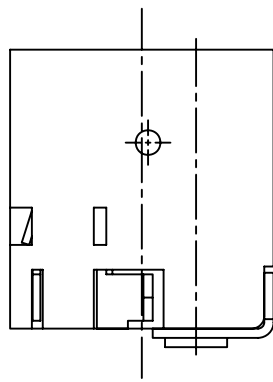


P. C. B Layout (Copper-sided view)



DC 0 0 0 6 0 - □ □ □ □ □ □ □ □ □
 ① ② ③ ④ ⑤ ⑥ ⑦ ⑧ ⑨

①:Series type:DC=DC POWER JACK

②:Series No.

③:Schematic option:

A、B

④:Center pin diameter:

C=∅1.0、E=∅1.3

⑤:Material of housing:

PB=PBT、P6=PA66

⑥:Housing color:

0A=Black (Standard)

⑦:Terminal plating:

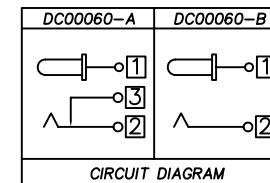
S=Silver(Ag)、T=Tin(Sn)

⑧:Special option:

0=No special option

⑨:Packing mode:

4=Bag packing



□ : TERMINAL NO.

Model No.	DC00060--C	DC00060--E
PIN	∅1.0	∅1.3

⑤	Shunt terminal	③	1	Brass t=0.3	DC00060-03(WP-896)	Ag/Sn-Plating
④	Tip spring	②	1	SUS301 t=0.25	DC00060-02(TP-869)	Ag/Sn-Plating
③	Center pin terminal	①	1	Brass t=0.3	DC00060-01(PP-898)	Ag/Sn-Plating
②	Center pin		1	Brass	DC0006B-99C/E(YZ-DC0005)	Ni-Plating
①	Housing		1	PA66/PBT	DC00060-S1(ST-895)	
NO.	DESCRIPTION	QTY	MATERIAL	PART NO.	PLATING	

UNIT:MM	TYPE:	MODEL NO:	PAPER NO: A4	PAGE 1 OF 1
	DC POWER JACK	DC00060-__ __ __ __ _0A_04	TOLERANCE	ANGLES
			±0.3	±2'
			SCALE	VER
			FULL	3

DESIGNER BY:	Li Wenhui 2008.11.22	淮洋有限公司 HUAI YANG CO., LTD. www.hy1688.com.tw TEL:886-2-82610858
CHECK BY:		
APPROVED BY:		

SPECIFICATION

- 1.Rating : DC 20V 2A;
- 2.Contact resistance: ≤ 50mΩ;
- 3.Insulation resistance: ≥ 100MΩ (DC250V);
- 4.Withstand voltage: 500VAC ;
- 5.Insertion and extraction force: 3-30N;
- 6.life test: 5,000 cycles.

