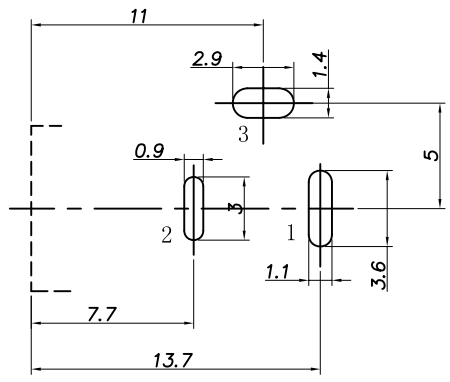
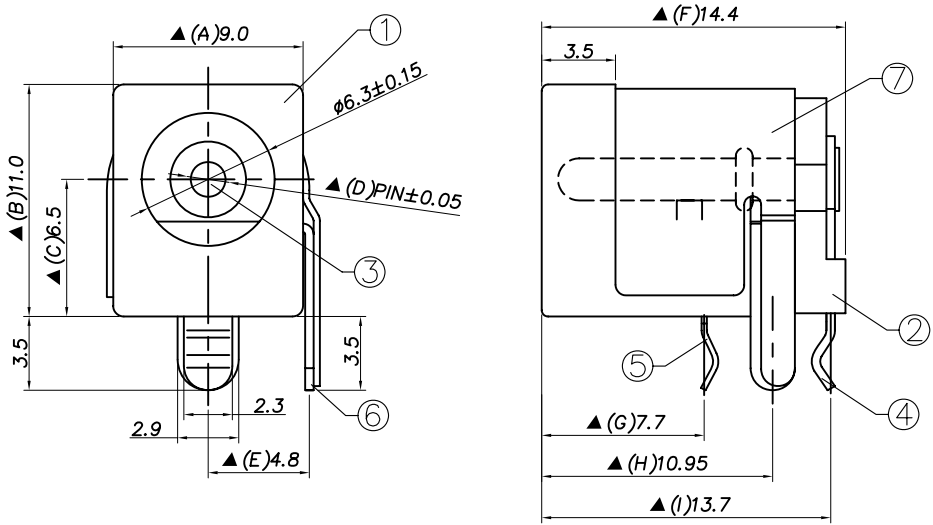
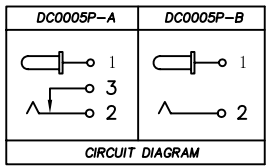


REV. LTR.	DESCRIPTION	SIGN	DATE

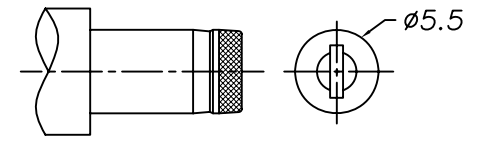


P. C. B Layout (Copper-sided view)

Ordering information:
 DC 0 0 0 5 P - □ □ PB 0A T 0 4
 (1) (2) (3) (4) (5) (6) (7) (8) (9)
 (1):Series type:DC=DC POWER JACK
 (2):Series No.
 (3):Schematic option:
 A、B
 (4):Center pin diameter:
 G=∅1.65, H=∅2.0, I=∅2.35, J=∅2.5
 (5):Material of housing:
 PB=PBT (Standard)
 (6):Housing color:
 0A=Black
 (7):Terminal plating:
 T=Tin(Sn)
 (8):Special option:
 0=No special option
 (9):Packing mode:
 4=Bag packing



Model No.	DC0005P-_G	DC0005P-_H	DC0005P-_I	DC0005P-_J
PIN	∅1.65	∅2.0	∅2.35	∅2.5



DC MATE PLUG

SPECIFICATION
 1.Rating : DC 20V 4A;
 2.Contact resistance: ≤30mΩ;
 After test: ≤50mΩ;
 3.Insulation resistance: ≥100MΩ (DC500V);
 4.Withstand voltage: 500VAC ;
 5.Insertion and extraction force: 3-30N;
 6.life test: 5,000 cycles;
 7.Operation temperature range:-20°C~70°C;
 8.Preservative temperature range:-40°C~85°C;
 9.Sign"▲ "is importance dimension.

⑦	Shield cover	1	SPCC	Nickel plating
⑥	Shunt terminal	③	1	Brass Tin plating
⑤	Tip spring	②	1	Phosphor bronze Tin plating
④	Center pin terminal	□	1	Brass Tin plating
③	Center pin	□	1	Brass Nickel plating
②	Cover		1	PBT
①	Housing		1	PBT
NO.	DESCRIPTION	QTY	MATERIAL	REMARK

UNIT: MM	TYPE:	MODEL NO:	PAPER NO: A4	PAGE 1 OF 1
	DC POWER JACK	DC0005P-_ _PBOAT04	TOLERANCE	ANGLES
			±0.3	±2'
			SCALE	VER
			FULL	01
DESIGNER BY:	Wangyan 2010.12.16		淮洋有限公司 HUI YANG CO., LTD.	
CHECK BY:			www.hy1688.com.tw TEL:886-2-82610858	
APPROVED BY:				