

H314Y10-01000

MINI USB 10 PIN RECEPTACLE RIGHT ANGLE SMT TYPE

FEATURES AND SPECIFICATIONS



Specification

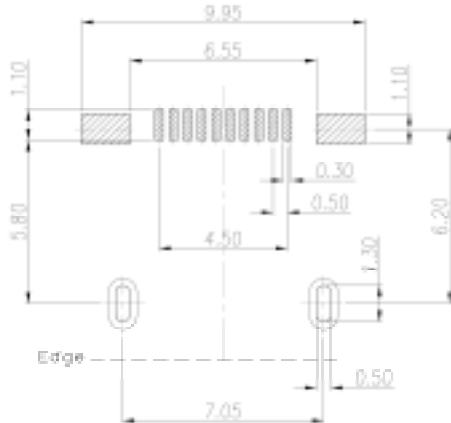
Current rating : 0.3 A AC/DC

Voltage rating : 30 V AC

Contact resistance : 20 mΩ Max.

Insulation resistance : 100 MΩ Min.

DIMENSIONS AND LAYOUT



Dielectric withstanding voltage : 250 V AC/minute

Materials

Housing : High temp. plastic , UL94V-0

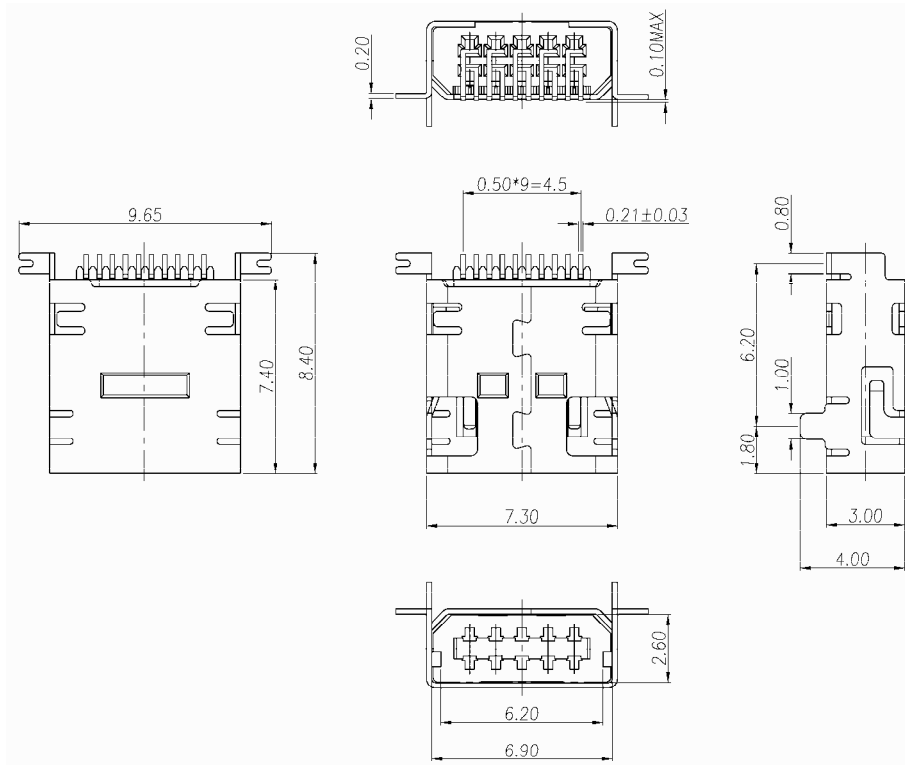
Terminal : Copper Alloy

Terminal plating : Tin selective Gold

Shell : Copper Alloy

Shell plating : Tin

CATALOG DRAWING (FOR REFERENCE ONLY)



淮洋有限公司 HUAI YANG CO.,LTD.

TEL: 886-2-82610858 FAX:886-2-82611885

236 台北縣土城市中央路二段 191 號 10 樓之 5