

H310Y11-00400

MINI USB 4 PIN TYPE PLUG

FEATURES AND SPECIFICATIONS



Specifications

Current rating : 2.0 A AC/DC

Voltage rating : 30 V DC

Contact resistance : 30 mΩ Max.

Insulation resistance : 500 MΩ Min.

Withstanding voltage : 250 V AC/minute

Materials

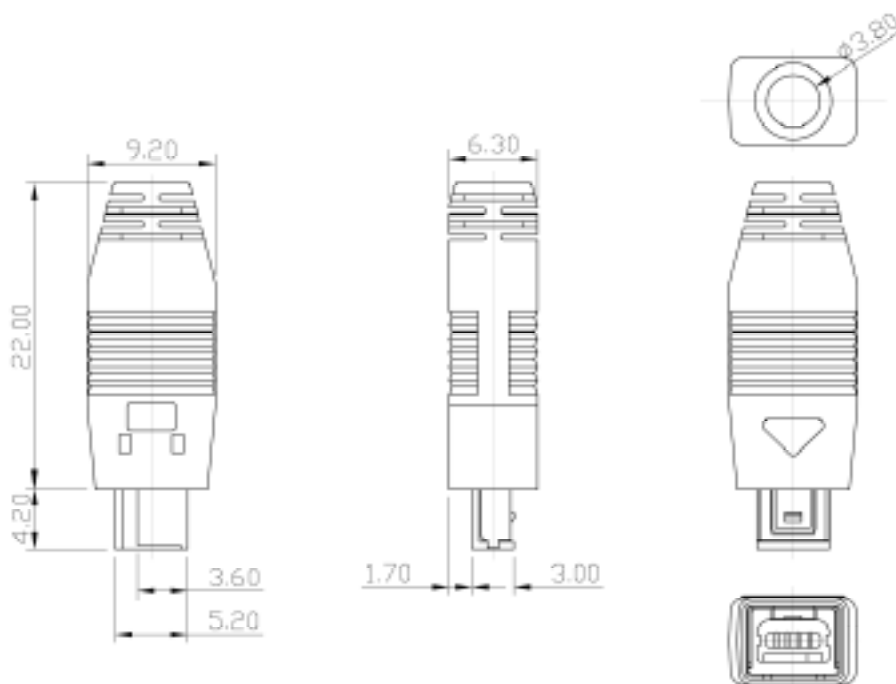
Housing / Hood : High temp. plastic , UL94V-0

Terminal : Copper Alloy

Plating : Tin selective Gold

Shell : Stainless steel

CATALOG DRAWING (FOR REFERENCE ONLY)



淮洋有限公司 HUI YANG CO.,LTD.

TEL: 886-2-82610858 FAX:886-2-82611885

236 台北縣土城市中央路二段 191 號 10 樓之 5