

H308Y21-00500

MINI USB AB TYPE RECEPTACLE RIGHT ANGLE SMT LOW PROFILE 1.75mm FEATURES AND SPECIFICATIONS



Specifications

Current rating : 1.0 A AC/DC.

Voltage rating : 5 V AC/DC.

Contact resistance : 60 mΩ Max.

Insulation resistance : 100 MΩ Min.

Withstanding voltage : 500 V AC/minute

Operating Temperature : -55 °C +105 °C

Materials

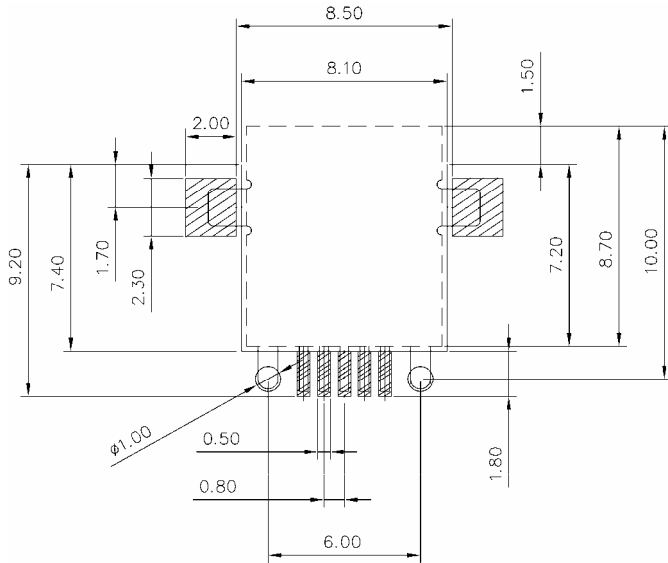
Housing : High temp. plastic , UL94V-0

Terminal : Copper alloy

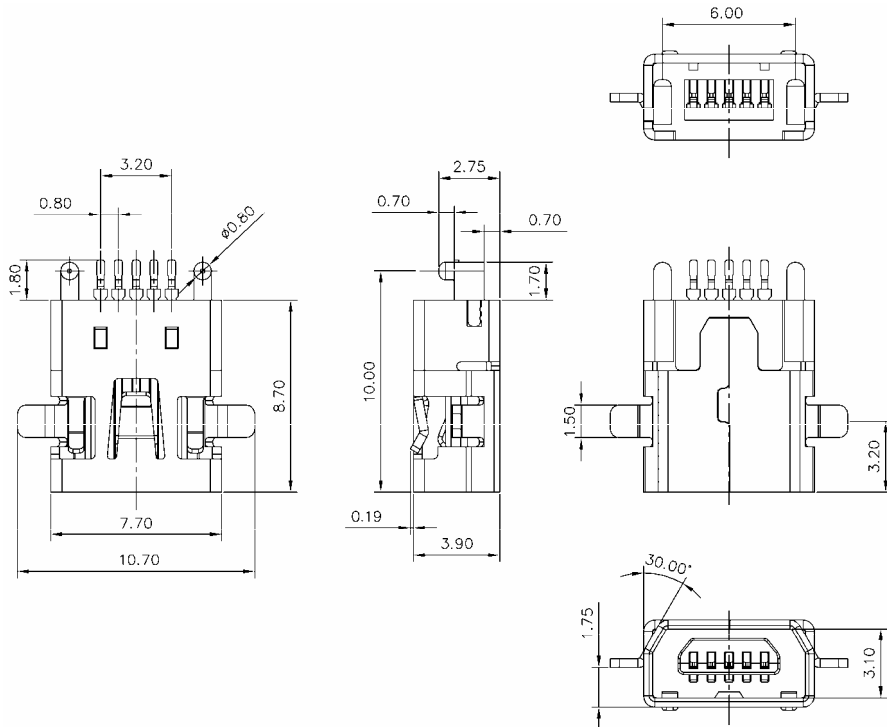
Shell : Copper alloy

Plating : Tin Selective Gold

DIMENSIONS AND LAYOUT



CATALOG DRAWING (FOR REFERENCE ONLY)



淮洋有限公司 HUAI YANG CO.,LTD.

TEL: 886-2-82610858 FAX:886-2-82611885

236 台北縣土城市中央路二段 191 號 10 樓之 5