

H308Y20-00500

MINI USB AB TYPE RECEPTACLE RIGHT ANGLE SMT LOW PROFILE 1.10mm FEATURES AND SPECIFICATIONS



Specifications

Current rating : 1.0 A AC/DC.

Voltage rating : 5 V AC/DC.

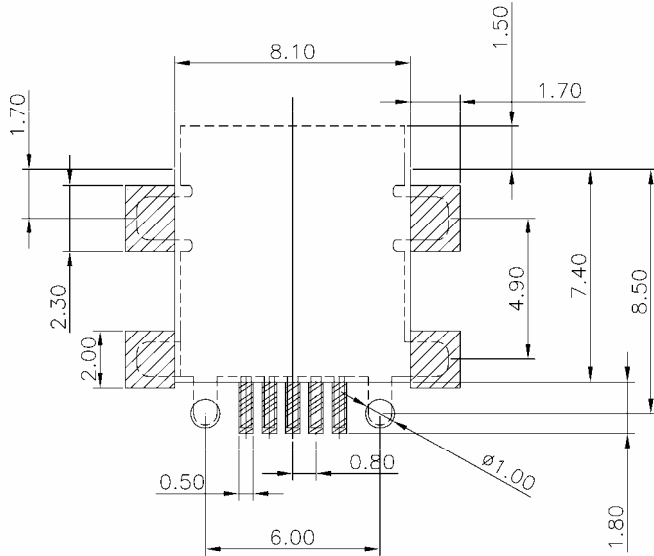
Contact resistance : 60 mΩMax.

Insulation resistance : 100 MΩMin.

Withstanding voltage : 500 V AC/minute

Operating Temperature : -55 °C +105 °C

DIMENSIONS AND LAYOUT



Materials

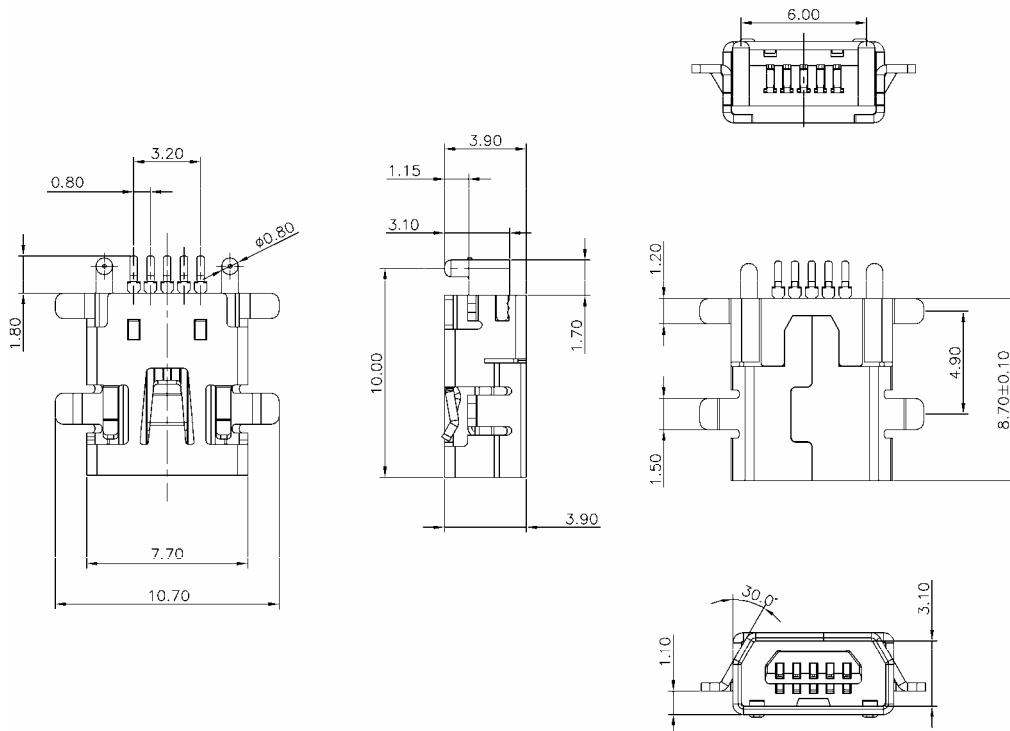
Housing : High temp. plastic , UL94V-0

Terminal : Copper alloy

Shell : Copper alloy

Plating : Tin Selective Gold

CATALOG DRAWING (FOR REFERENCE ONLY)



淮洋有限公司 HUI YANG CO.,LTD.

TEL: 886-2-82610858 FAX:886-2-82611885

236 台北縣土城市中央路二段 191 號 10 樓之 5