

# H300Y13-00400

## USB A TYPE PLUG FOR PCB LOW PROFILE 2.65mm TYPE

### FEATURES AND SPECIFICATIONS



#### Specifications

Current rating : 1.5 A AC/DC.

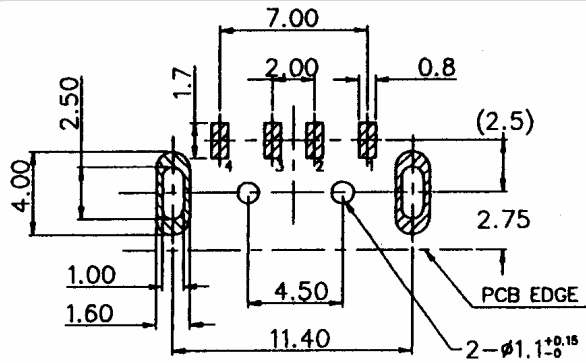
Voltage rating : 250 V AC/DC.

Contact resistance : 30 mΩ Max.

Insulation resistance : 100 MΩ Min.

Withstanding voltage : 500 V AC/minute

### DIMENSIONS AND LAYOUT



#### Materials

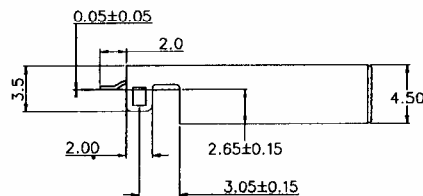
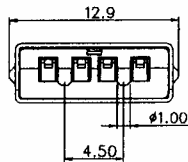
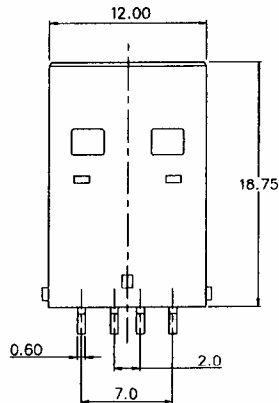
Housing : High temp. plastic , UL94V-0

Terminal : Copper alloy

Shell : Copper alloy

Plating : Tin Selective Gold

### CATALOG DRAWING ( FOR REFERENCE ONLY )



淮洋有限公司 HUAI YANG CO.,LTD.

TEL: 886-2-82610858 FAX:886-2-82611885

236 台北縣土城市中央路二段 191 號 10 樓之 5