

H300Y10-00400

USB A TYPE RECEPTACLE RIGHT ANGLE SMT TYPE

FEATURES AND SPECIFICATIONS



Specifications

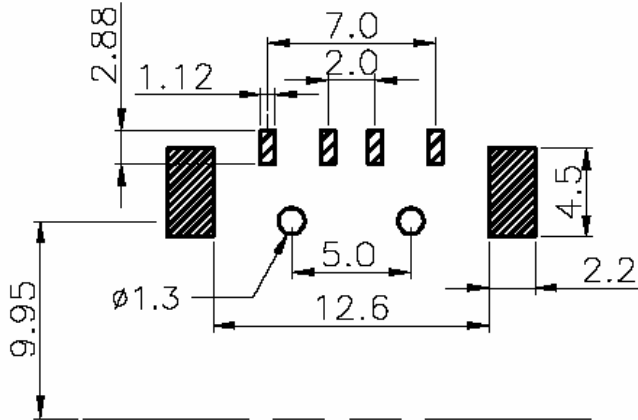
Current rating : 1.0 A AC/DC.

Voltage rating : 750 V AC/DC.

Contact resistance : 30mΩ Max.

Insulation resistance : 100MΩ Min.

Operating Temperature : -55 °C +85 °C



DIMENSIONS AND LAYOUT

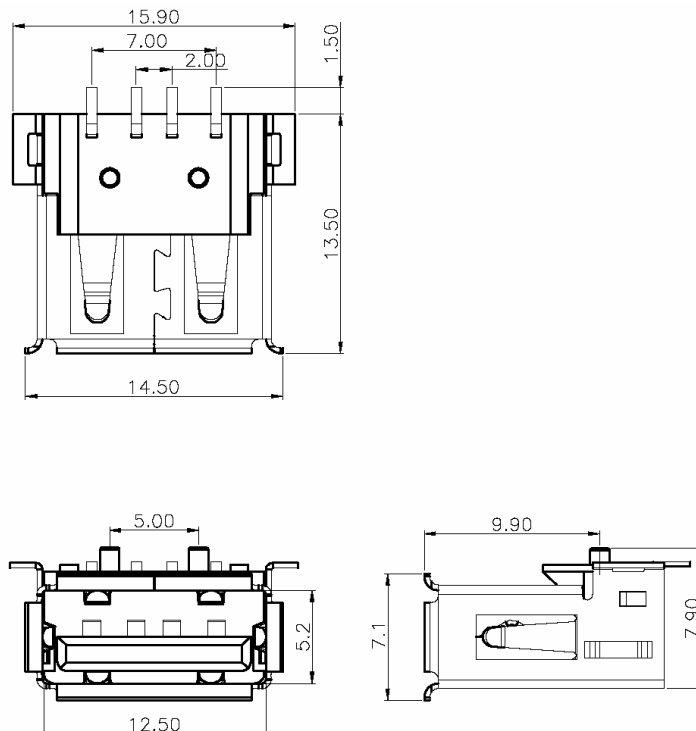
Materials

Housing : High temp. plastic , UL94V-0

Terminal : Copper alloy

Shell : Copper alloy

Plating : Tin Selective Gold



CATALOG DRAWING (FOR REFERENCE ONLY)

淮洋有限公司 HUAI YANG CO.,LTD.

TEL: 886-2-82610858 FAX:886-2-82611885

236 台北縣土城市中央路二段 191 號 10 樓之 5