

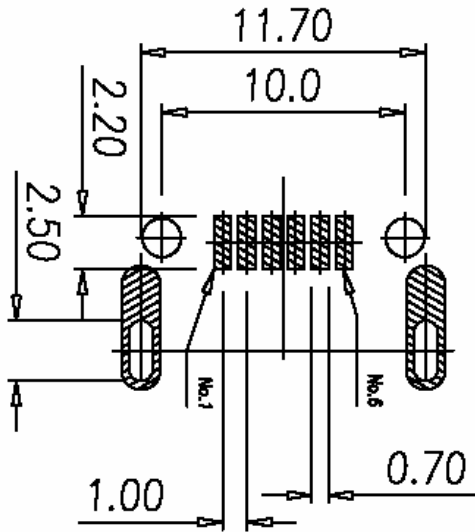
H206Y13-00600

IEEE 1394 RECEPTACLE SMT RIGHT ANGLE TYPE

FEATURES AND SPECIFICATIONS



DIMENSIONS AND LAYOUT



Specifications

Current rating : 1.5 A AC/DC.

Voltage rating : 40 V AC/DC.

Contact resistance : 30 mΩ Max.

Insulation resistance : 500 MΩ Min.

Withstanding voltage : 500 V AC/minute

Materials

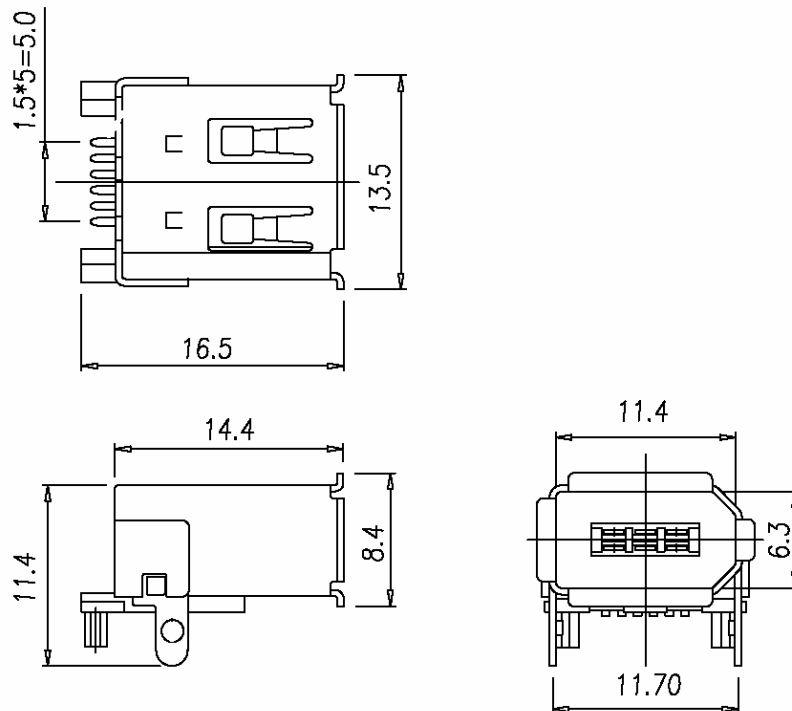
Housing : High temp. plastic , UL94V-0

Terminal : Copper Alloy

Plating : Tin and selective Gold

Shell : Copper Alloy

CATALOG DRAWING (FOR REFERENCE ONLY)



淮洋有限公司 HUAI YANG CO.,LTD.

TEL: 886-2-82610858 FAX:886-2-82611885

236 台北縣土城市中央路二段 191 號 10 樓之 5