

# H206Y12-00400

## IEEE 1394 AV PLUG 4 PIN TYPE

### FEATURES AND SPECIFICATIONS

#### Specifications

Current rating : 0.5 A AC/DC.

Voltage rating : 5 V AC/DC.

Contact resistance : 30 mΩ Max.

Insulation resistance : 500 MΩ Min.

Withstanding voltage : 100 V AC/minute



#### Materials

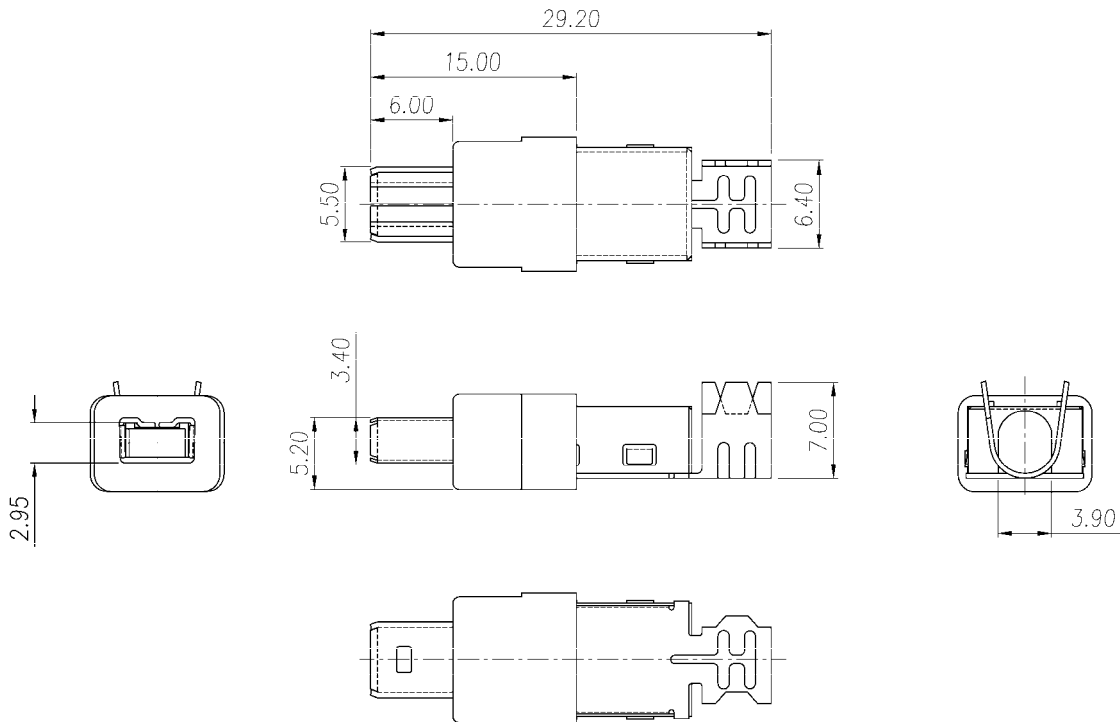
Housing : High temp. plastic , UL94V-0

Terminal : Copper Alloy

Plating : Gold

Shell : Copper Alloy

### CATALOG DRAWING (FOR REFERENCE ONLY)



淮洋有限公司 HUAI YANG CO.,LTD.

TEL: 886-2-82610858 FAX:886-2-82611885

236 台北縣土城市中央路二段 191 號 10 樓之 5