

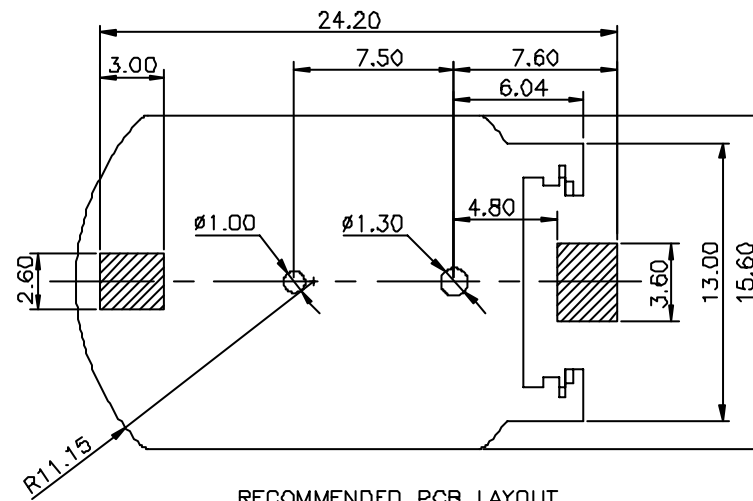
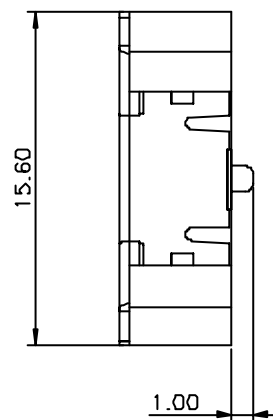
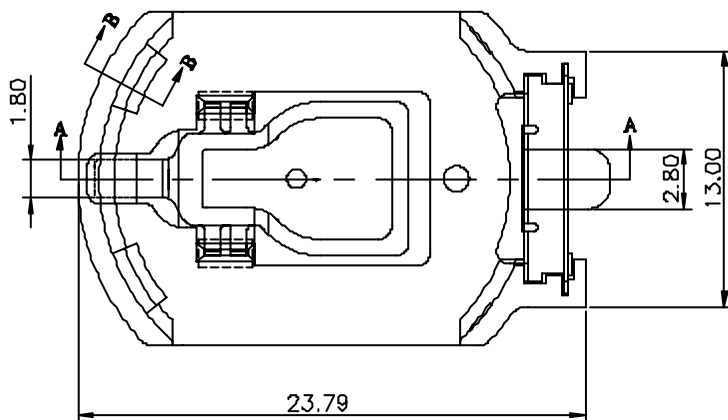
REV.	ECN NO. / DESCRIPTION	DATE
1	N050008	01/27'05

HOW TO ORDER

K	B74	<input type="checkbox"/> <input type="checkbox"/>	<input type="checkbox"/>	<input type="checkbox"/>	<input type="checkbox"/>	<input type="checkbox"/>
Lead Free	Product Code	Housing Material	Housing Colour	Contacts Material	Plated	Spec.
		<input type="checkbox"/> 10: PPS	<input type="checkbox"/> A: Brown	<input type="checkbox"/> B: Brass <input type="checkbox"/> P: Phosphor Bronze	<input type="checkbox"/> 2: Gold	<input type="checkbox"/> L: STANDARD <input type="checkbox"/> P: LOCATING <input type="checkbox"/> U: "U" JAG

GENERAL TOLERANCES UNLESS SPECIFIED		HUI YANG CO.,LTD.		TEL:02-82610858 FAX:02-82611885	
X±	X*±	APPROVE		TITLE	
XX±	X*±	Alan_Yuan 01/27'05		BATTERY HOLDER FOR CR2032	
XXX±	XX*±	CHECK		DWG NO.	
				KB74QC	
SIZE	UNITS	DRAW		SHEET	SCALE
A4	MM[INCH]	LT 01/27'05		1 / 1	REV
					1

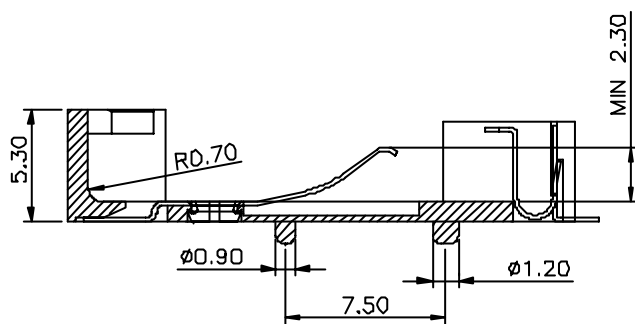
REV.	ECN NO. / DESCRIPTION	DATE
2	N050146	5/23/05
3	N050377	9/13/05



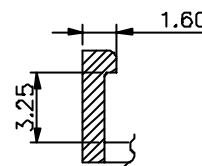
RECOMMENDED PCB LAYOUT

NOTES:

1. DIMENSIONS ARE IN MILLIMETER
2. MATERIAL:
PLASTIC PART: PPS+30%GF
UL94V-0, BROWN;
CONTACT: PHOSPHOR BRONZE
3. FINISH:
CONTACT: GOLD PLATED ALL OVER THE FACE
4. ACCORDING TO THE ENVIRONMENTAL REQUIREMENT, WARRANTY THE CONTROLLED HAZARDOUS SUBSTANCE SHOULD MEET ROHS'S SPECIFICATION.



SECTION A-A



SECTION B-B

GENERAL TOLERANCES UNLESS SPECIFIED		PART NO.	HUI YANG CO.,LTD. TEL:02-82610858		
X±0.35	X°±0°	KB7410AP2P	TITLE BATTERY HOLDER FOR CR2032		
XX±0.25	X°±2°	APPROVE Tony_chen	DWG NO. KB740CP001		
XXX±0.15	XX°±1°	CHECK Joe_peng	SHEET 1 / 1		
SIZE A4	UNITS MM[INCH]	DRAW Liu Juan	SCALE 3:1	REV 3	