

**NOTES**

**1. MATERIALS:**

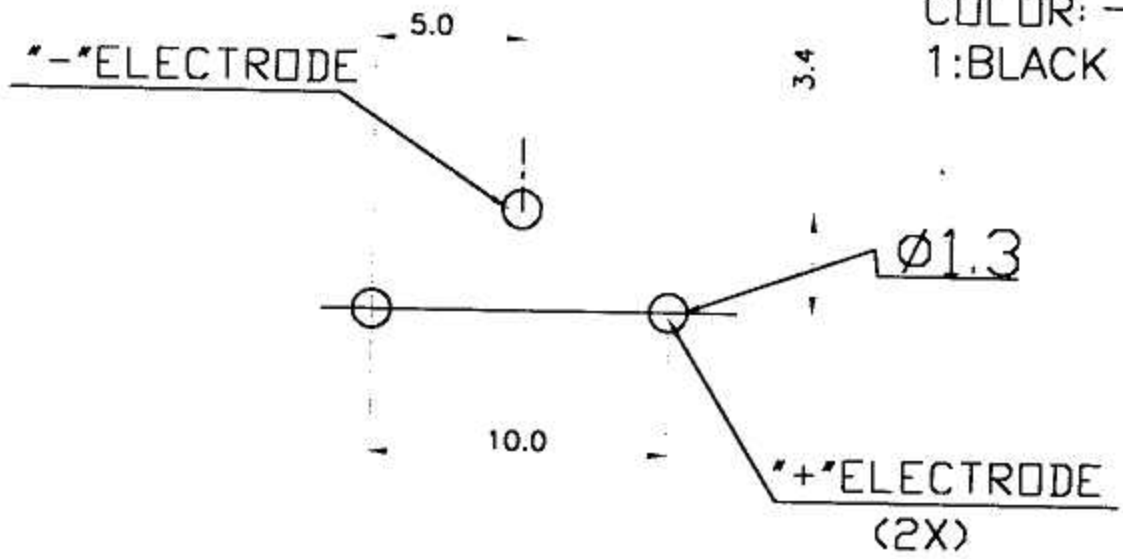
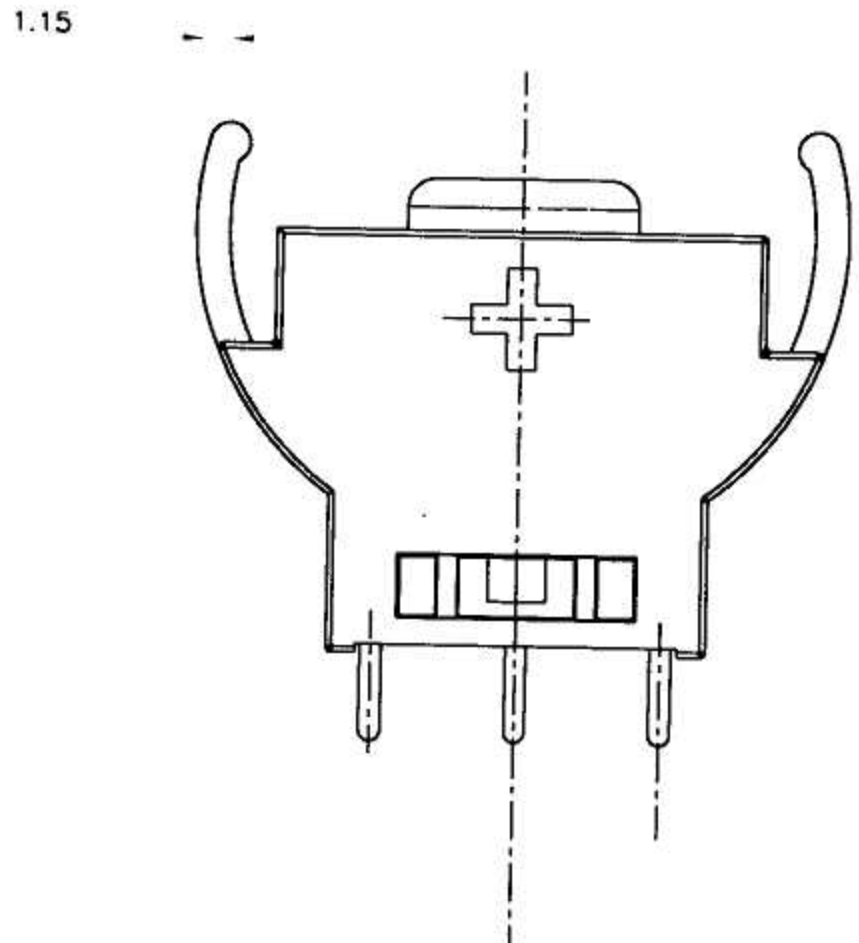
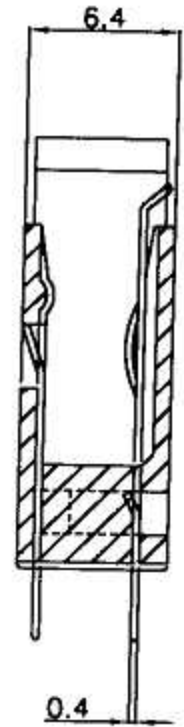
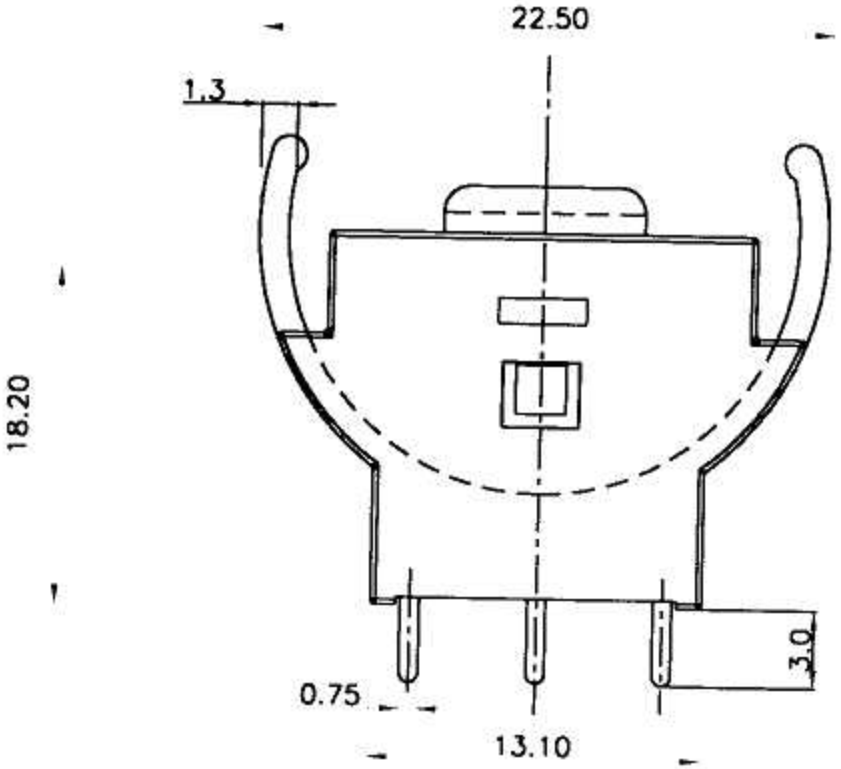
HOUSING-NYLON 46 30%GF UL94V-0.  
 CONTACT-PHOSPHOR BRONZE, C5191R-H T=0.6mm.

GS074A - 02 1 G

BATTERY DIM  
 02:D=19.8mm  
 T=3.2mm

COLOR:  
 1:BLACK

PLATING  
 1:Sn/Pb 90/10 100u" MIN  
 OVER 50U" MIN NICKEL  
 G:RoHS  
 Tin 120u" OVER Ni 50u"



UNIT: mm

		<b>NOTES</b>			
B	S.L	08/01/'07	General Tolerances: Angle: $\pm 2^\circ$	Date: 04/30/'07	Sheet 1 of 1
A	RELEASE	04/30/'03	Dim: 0.0 $\pm 0.25$ 0.00 $\pm 0.20$ 0.000 $\pm 0.10$	DWG. NO: GS074A-021C	REV: A
REV	Revision Record	Date	Drawn by Tan-Fan	Chk'd by	Title: BATTERY HOLDER
Revise Only On Cad System			App'd by	Scale 1 : 1	