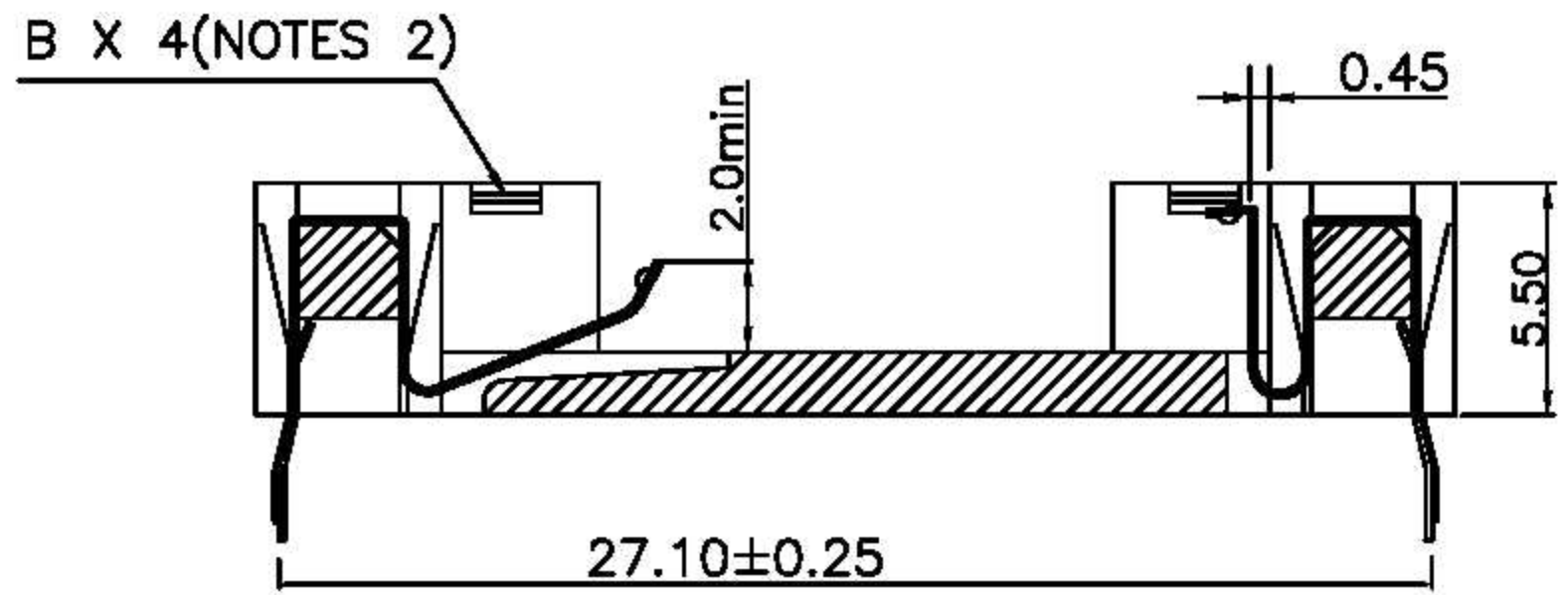
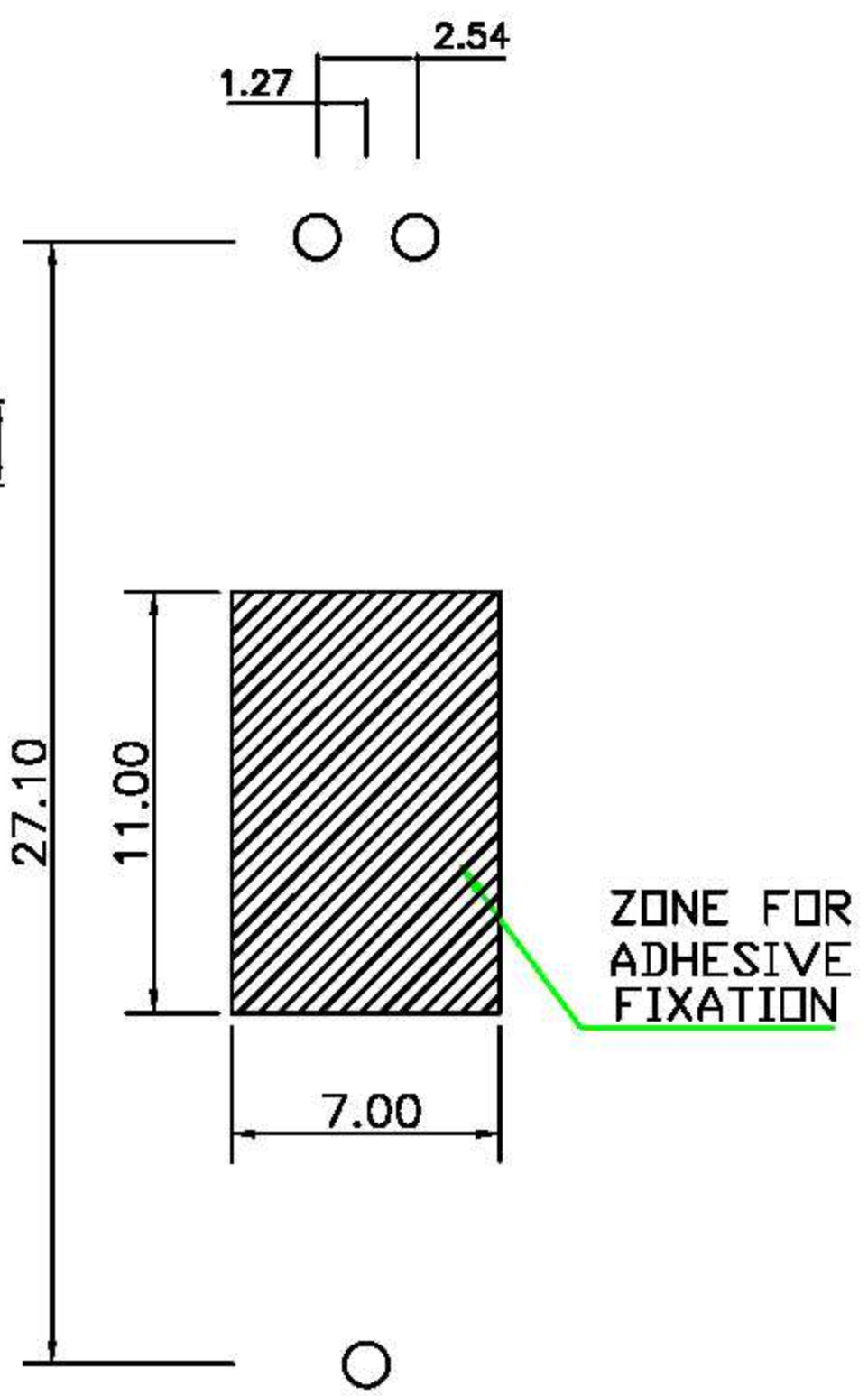
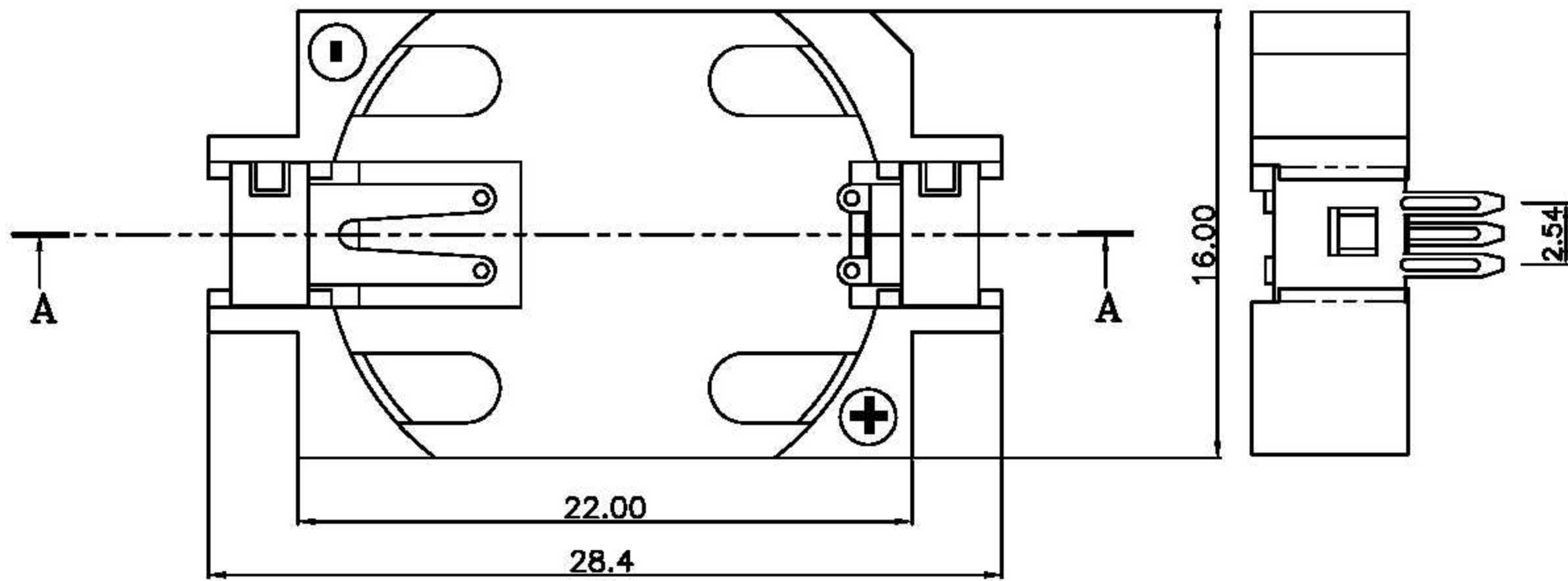


GS029-02XX-2XX



SECTION A-A

PCB LAYOUT

- NOTES**
- MATERIALS: HOUSING-LCP 30%GF UL94V-0.
CONTACT-PHOSPHOR BRONZE C5191R-H.
 - PART NO.
GS029 - XX X X -2XX
BATTERY TYPE: NULL:WITH LOGO GS
A:WITHOUT LOGO
COLOR: 1. WHITE
PLATING: 1.Sn/Pb 120u*MIN
OVER NI 60u*MIN.
G: Lead Free
PACKAGE TYPE:
2:TRAY GENERAL TYPE
3:TRAY FOR AUTOMATIC
PICK-AND-PLACE.
4.EMBOSSED TAPE PACKAGING
OF SMT BATTERY HOLDER

REV	Revision Record	Date	REV	Revision Record	Date
			A	RELEASE	04/12/02
Revise Only In Cool System					

CUSTOMER DRAWING

UNIT: mm

General Tolerances
Angles 23°

Dim	0.0	±0.30
	0.00	±0.25
	0.000	±0.10

Date: 04/12/02' Sheet: 1 OF 1
 Dwg NO: GS029-XXXX-2XX REV: A
 Title: **BATTERY HOLDER
DIP ASS'Y 2032**

Scale: 3 : 1

HUAI YANG CO., LTD.