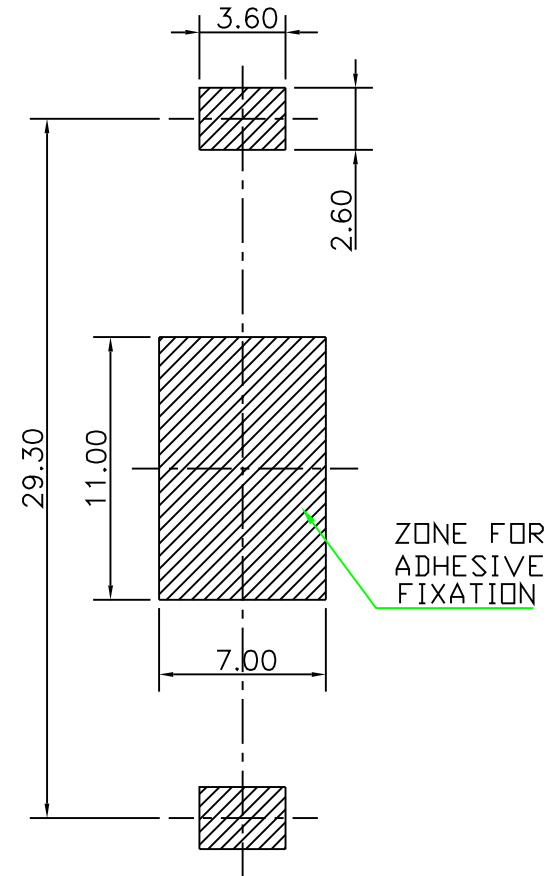
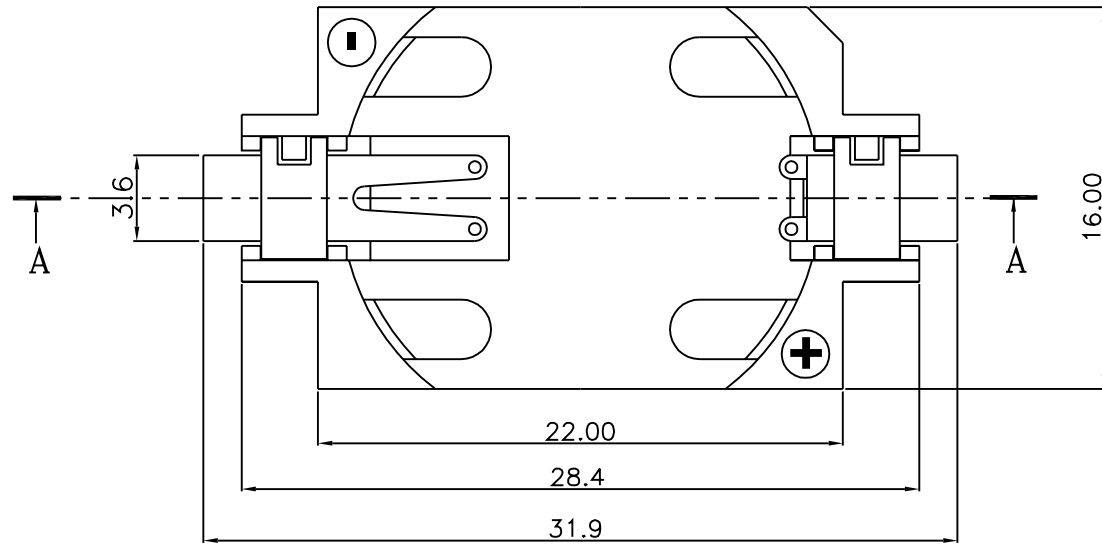
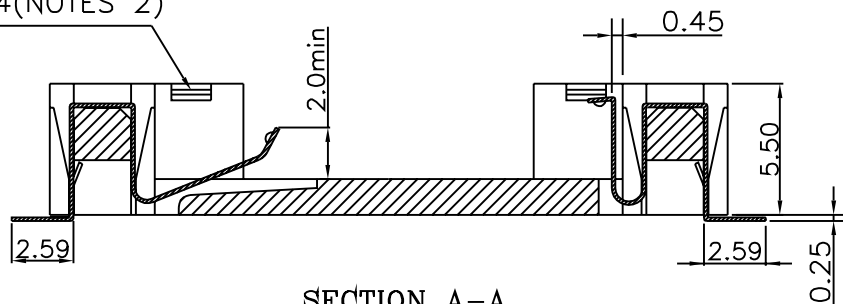


GS028L-02XX-2XA



PCB LAYOUT

B X 4 (NOTES 2)



SECTION A-A

NOTES

- 1. MATERIALS: HOUSING-LCP 30%GF UL94V-0.
CONTACT-PHOSPHOR BRONZE C5191R-H.
- 2. PART NO.

GS028L - XX X X -2XX

BATTERY TYPE

COLOR:
1. WHITE

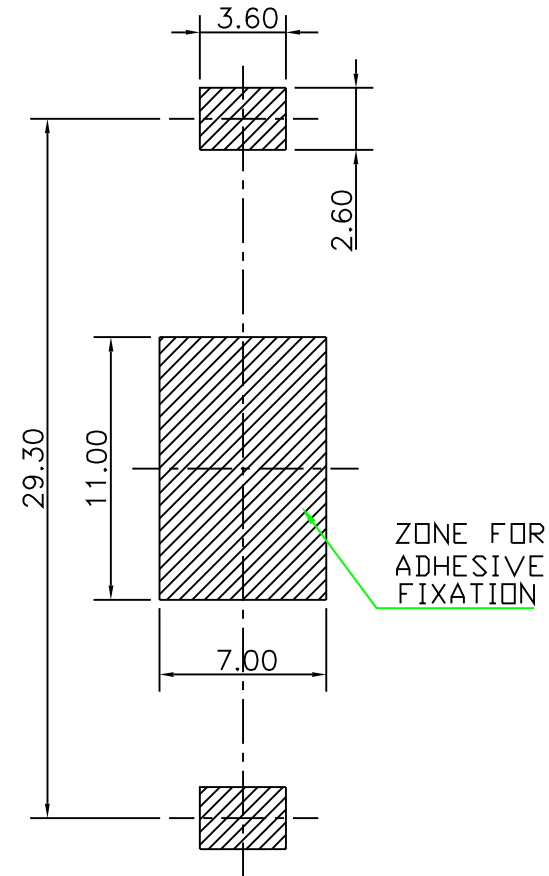
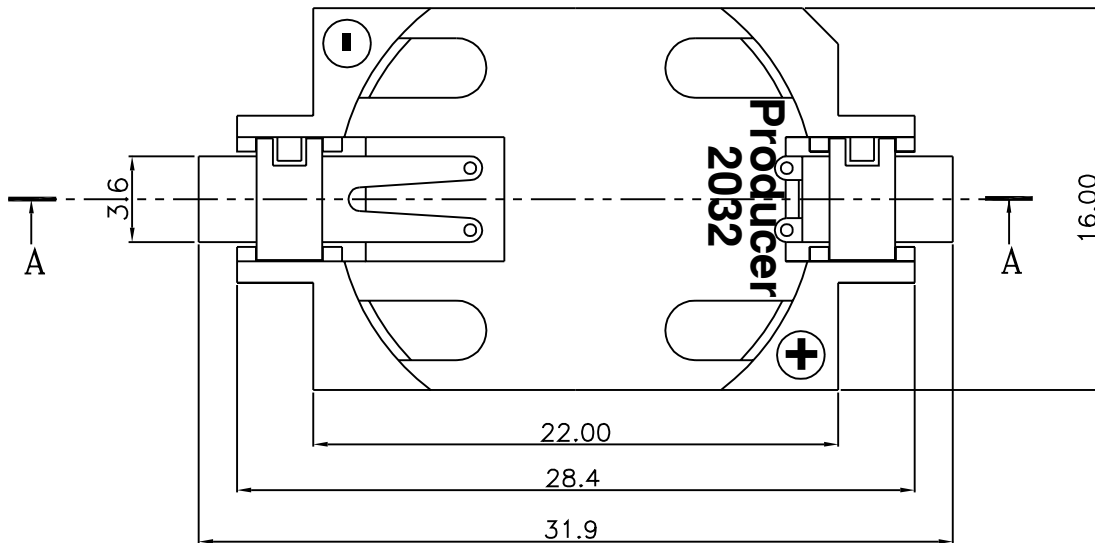
PLATING:
1. Sn/Pb 120u"MIN
OVER Ni 60u"MIN.
G: LEAD-FREE

NULL: WITH LOGO GS
A: WITHOUT LOGO

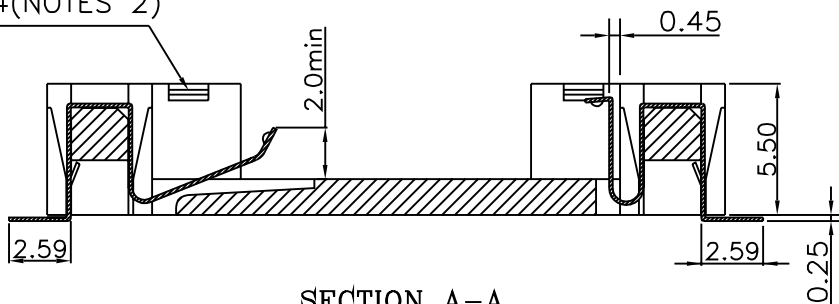
- PACKAGE TYPE:
- 2: TRAY GENERAL TYPE
- 3: TRAY FOR AUTOMATIC
PICK-AND-PLACE.
- 4: EMBOSSED TAPE PACKAGING
OF SMT BATTERY HOLDER

						CUSTOMER DRAWING				HUI YANG CO.,LTD. TEL:886-2-82610858	
						General Tolerances: Angle: ±3°		Dim: 0.0 ±0.30 0.00 ±0.20 0.000 ±0.10		Date: 04/12/02' Sheet: 1 OF 1 Eng. NO: GS028L-XXXX-2XX REV: A	
						A		RELEASE		04/12/02'	
REV	Revision Record		Date	REV	Revision Record		Date	Drawn by	Chkd by		Title: BATTERY HOLDER SMT ASS'Y 2032
Revise Only On Cad System								Appr'd by	Scale 3 : 1		

GS028L-02XX-2XX



B X 4 (NOTES 2)



SECTION A-A

PCB LAYOUT

NOTES

- 1.MATERIALS: HOUSING-LCP 30%GF UL94V-0.
CONTACT-PHOSPHOR BRONZE C5191R-H.
- 2.PART NO.

GS028L - XX X X -2XX

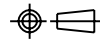
BATTERY TYPE

NULL:WITH LOGO GS
A:WITHOUT LOGO

COLOR:
1. WHITE

PACKAGE TYPE:
2:TRAY GENERAL TYPE
3:TRAY FOR AUTOMATIC
PICK-AND-PLACE.
4.EMBOSSED TAPE PACKAGING
OF SMT BATTERY HOLDER

PLATING:
1.Sn/Pb 120u"MIN
OVER Ni 60u"MIN.

		CUSTOMER DRAWING		 UNIT: mm		HUAI YANG CO.,LTD. :886-2-82610858	
		General Tolerances: Angle: ±3°		Dim: 0.0 ±0.30 0.00 ±0.20 0.000 ±0.10		Date: 04/12/02' Sheet: 1 OF 1 Eng. NO: GS028L-XXXX-2XX REV: A	
A	RELEASE	04/12/02	Drawn by	Drawn by	Title: BATTERY HOLDER SMT ASS'Y 2032		
REV	Revision Record	Date	App'd by	Scale	3 : 1		
Revise Only In Cad System							