

Feature :


- 5 direction navigation cap
- Panel mount and PCB module installation
- LED illumination

Application :

- Consumer products
- Computer products
- Instrumentation
- Communication equipments
- Home appliances

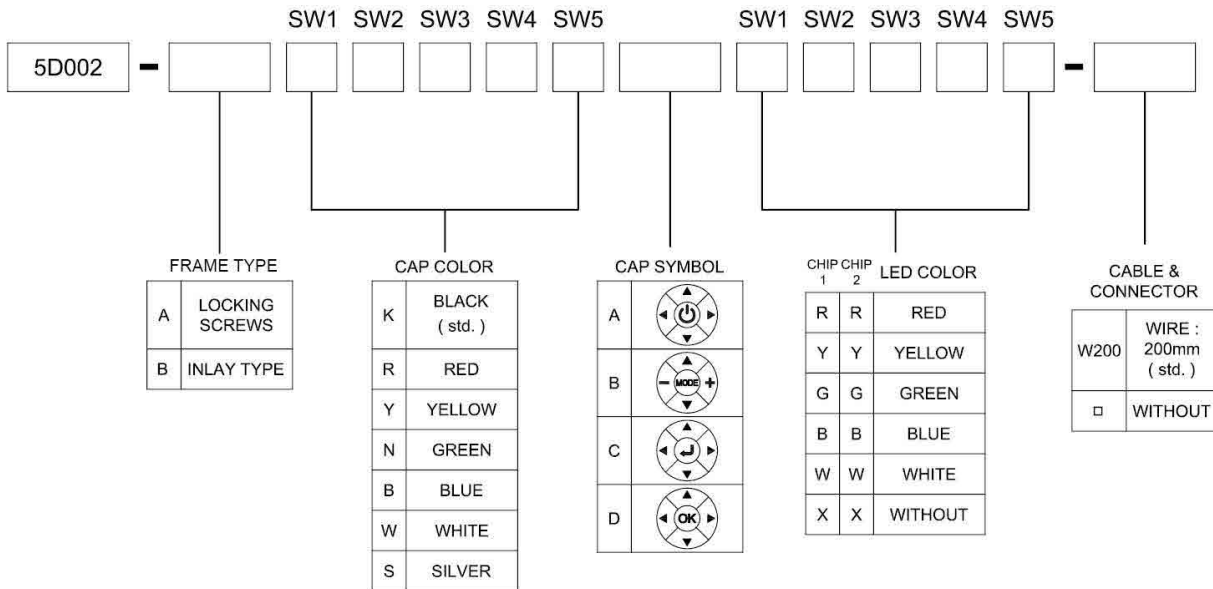


SWITCH SPECIFICATIONS	
POLE - POSITION	Momentary action , 5P1T
CONTACT RATING	24 V DC , 50 mA
CONTACT RESISTANCE	50 mΩ MAX. 1.5 V DC ; 100 mA , by Method of Voltage DROP
INSULATION RESISTANCE	100 MΩ MIN. 500 V DC
DIELECTRIC STRENGTH	Breakdown is not Allowable ; 500 V AC for 1 Minute
OPERATING FORCE	300 ± 100 gf
OPERATING LIFE	1,500,000 cycles
OPERATING TEMPERATURE RANGE	-40°C ~ 85°C
TOTAL TRAVEL	1.0 ± 0.3 mm

LED SPECIFICATIONS		Value / LED Color						
ATTENTION LEDs are Electrostatic Sensitive devices 	Unit	Blue (5mA)	Pure Green	Red	Yellow	Orange	Green	White
		LUMINOUS INTENSITY@20mA Iv	mcd	25	180	200	200	250
Dominant Wavelength λD	nm	470	525	630	590	601	567	/
FORWARD VOLTAGE@20mA Vf	V	2.8	3.2	1.95	2	2.1	2.1	4

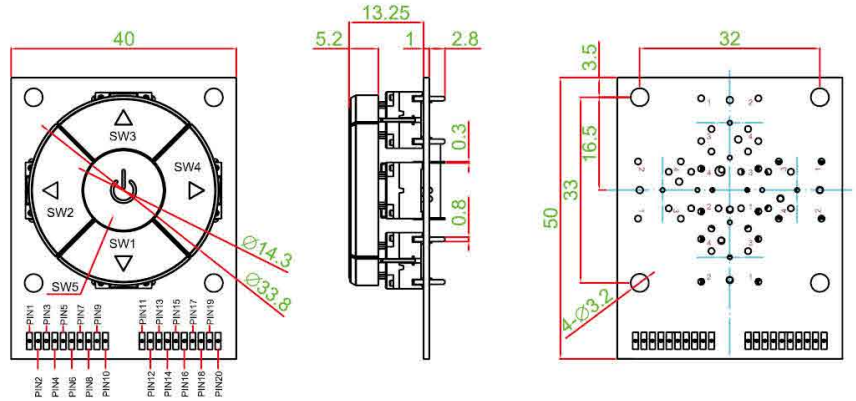
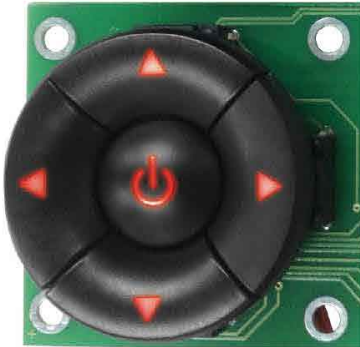
■ A single bin cannot be ordered, please contact us in advance if you need a particular bin sorting before placing your order to clarify the lead time, MOQ and pricing

HOW TO ORDER

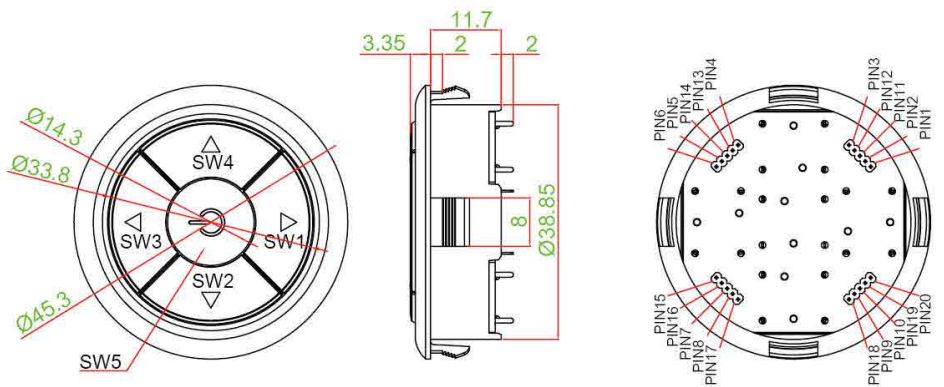


FRAME TYPE

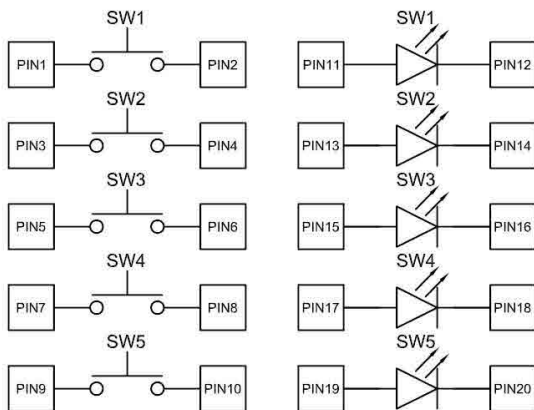
• 5D002-AKXXXXKARXRXRXR



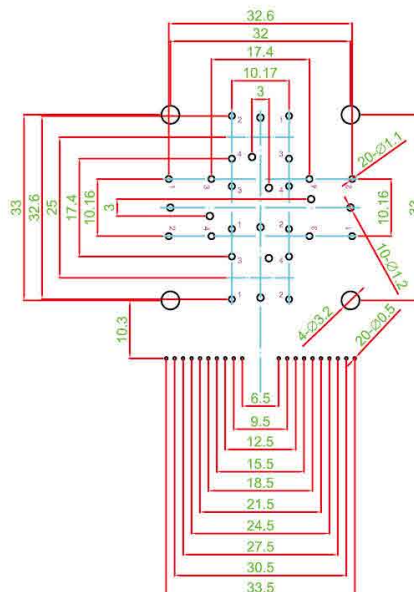
• 5D002-BKXXXXKARXRXRXR



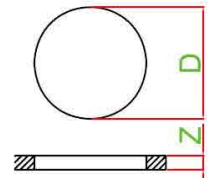
CIRCUIT



P.C.B. LAYOUT



PANEL CUT OUT



Z	D
2.0 ~ 2.5	43.7~44.1
2.5 ~ 3.0	44.1~44.4