

Feature :

- 5 direction navigation cap
- Panel mount and PCB module installation
- LED illumination

Application :

- Consumer products
- Computer products
- Instrumentation
- Communication equipments
- Home appliances

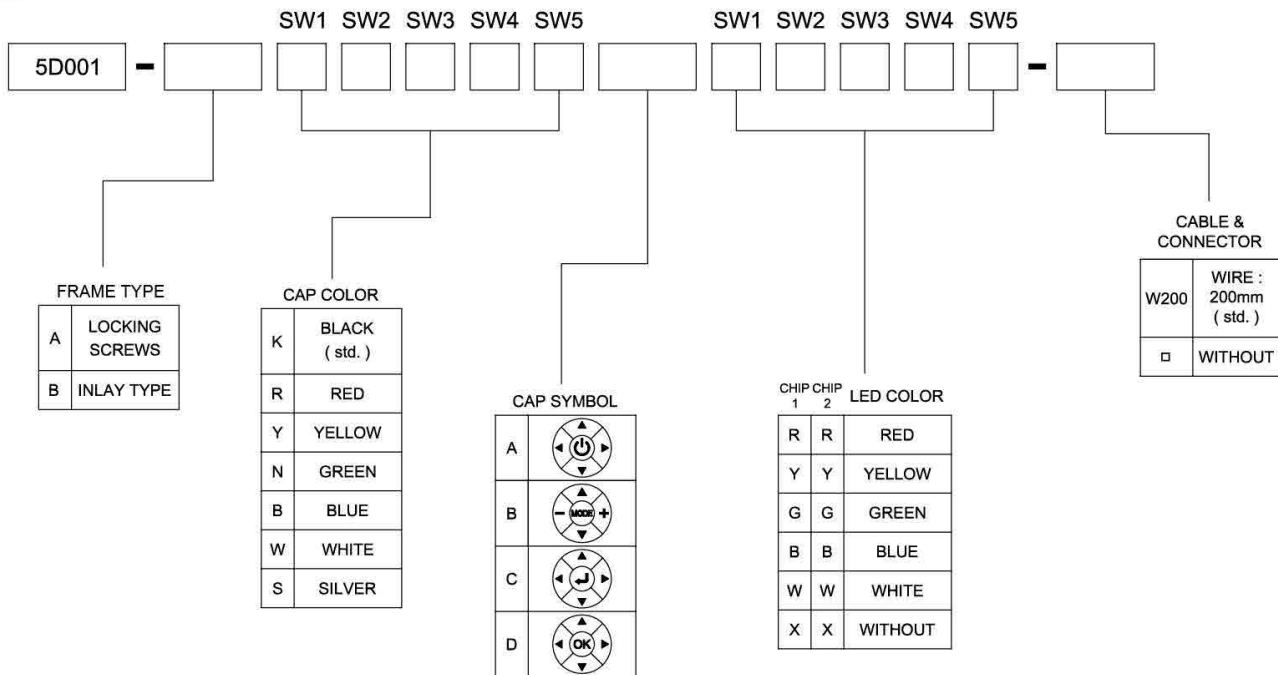


SWITCH SPECIFICATIONS	
POLE - POSITION	Momentary action , 5P1T
CONTACT RATING	12 V DC , 50 mA
CONTACT RESISTANCE	100 mΩ MAX. 5 V DC ; 1 A , by Method of Voltage DROP
INSULATION RESISTANCE	1000 MΩ MIN. 100 V DC for 1 minute
DIELECTRIC STRENGTH	Breakdown is not Allowable ; 250 V AC for 1 Minute
OPERATING FORCE	200 ± 80 gf ; 450 ± 150 gf
OPERATING LIFE	500,000 cycles
OPERATING TEMPERATURE RANGE	-40°C ~ 85°C
TOTAL TRAVEL	0.45 ± 0.15 mm

LED SPECIFICATIONS		Value / LED Color						
 ATTENTION LEDs are Electrostatic Sensitive devices 	Unit	Blue	Pure Green	Red	Yellow	Orange	Green	White
		LUMINOUS INTENSITY@20mA Iv	mcd	80	150	220	180	320
Dominant Wavelength λD	nm	465	525	630	590	601	567	/
FORWARD VOLTAGE@20mA Vf	V	3.3	3.2	1.95	2	2.1	2.1	3.3

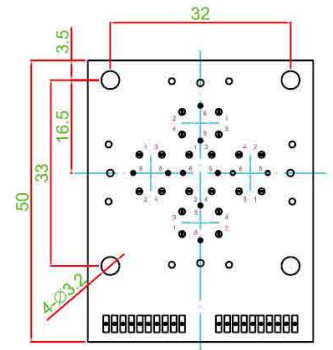
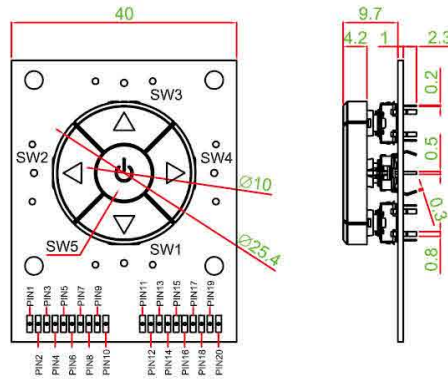
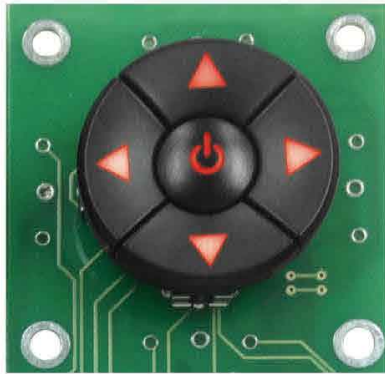
■ A single bin cannot be ordered, please contact us in advance if you need a particular bin sorting before placing your order to clarify the lead time, MOQ and pricing

HOW TO ORDER

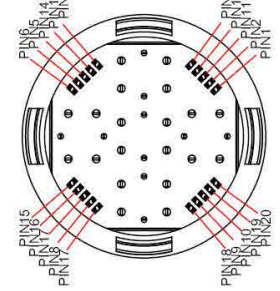
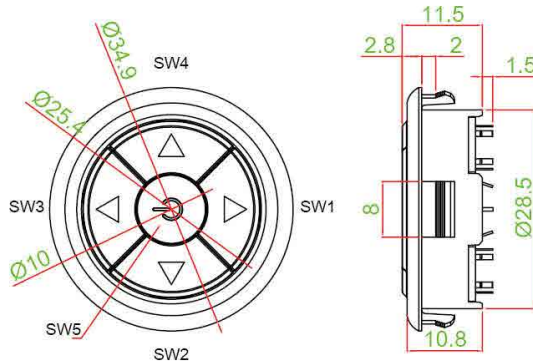


FRAME TYPE

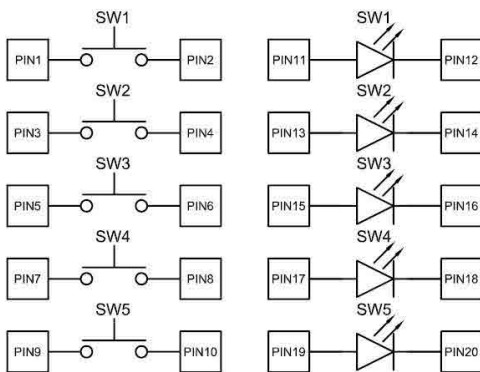
• 5D001-AK K K K K K R X R X R X R X R X



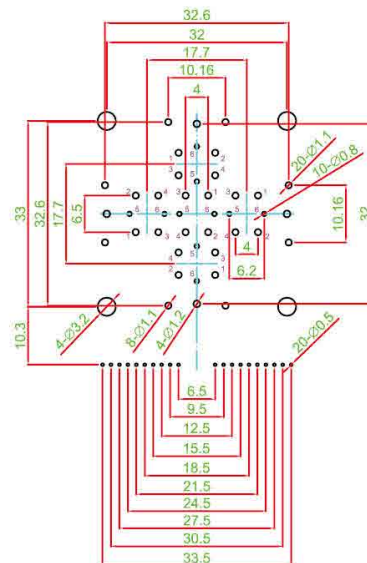
• 5D001-BK K K K K K R X R X R X R X R X



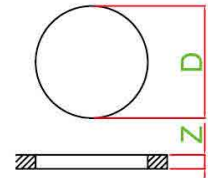
CIRCUIT



P.C.B. LAYOUT



PANEL CUT OUT



Z	D
2.0 ~ 2.5	33.3~33.5
2.5 ~ 3.0	33.5~33.7